

PIVOTA®
DX Series

Concealed hinges
for flush doors

Invisible reality

Hidden from view but extremely effective -
innovative solutions from BaSys



PIVOTA®

Contents

DX series – The complete range	Page 3
Advantages of the system	Page 4 - 5
Finish and model guide	Page 6
References	Page 7
The small ones	Page 8 - 9
The narrow ones	Page 10 - 11
The offset one	Page 12 - 13
The turners	Page 14 - 15
With identical cutouts - Cutout A	Page 16
With identical cutouts - Cutout B	Page 17
With identical cutouts - Cutout C	Page 18
With identical cutouts - Cutout D	Page 19
With identical cutouts - Cutout E	Page 20
With identical cutouts - Cutout F	Page 21
The power-assisted one	Page 22
Special solutions	Page 23

PIVOTA®

DX series – The complete range

A complete range.

With the **PIVOTA® DX series**, BaSys offers a complete range of concealed hinges for a wide range of applications.

From the very beginning our aim has been to provide a convenient solution for as many fields of application as possible to our customers engaged in door production, commercial building equipment and architectural planning. As a result, we have created a range to meet every requirement.

Neither the installation of stops for door weights of 40 kg to 350 kg nor the use of doors with high extension jambs or frames with small rebate depths poses any problem. In cases where a high level of security is required, we recommend special hinge types suitable for fire doors or burglary prevention, if desired.

Another special feature of the **PIVOTA® DX series** is the small dimensions of the hinge body with regard to mortise width and depth, together with a constantly high load capacity. Thus, the customer can fully benefit from the advantages of concealed hinges even in cases of relatively narrow rebate depths and small panel breadths.

Even the preparation and installation offer cost-saving advantages: the width of the recessed cutouts always corresponds exactly to the hinge width. Additional cover plates are not necessary, but are available on request ("Design" option).



Door closed

Completely invisible from the outside, the concealed hinge is mortised into the frame and the door.



Door open 90°

As a result of the motion sequence, the back door edge is slightly lifted off from the frame edge.



Door open 180°

The fully open position allows free passage without any restriction.



Photographer: Daniel Vieser, Architekturfotografie

Advantages of the system.

The construction principle of the **PIVOTA® DX series** offers advantages that are based on two essential technical features:

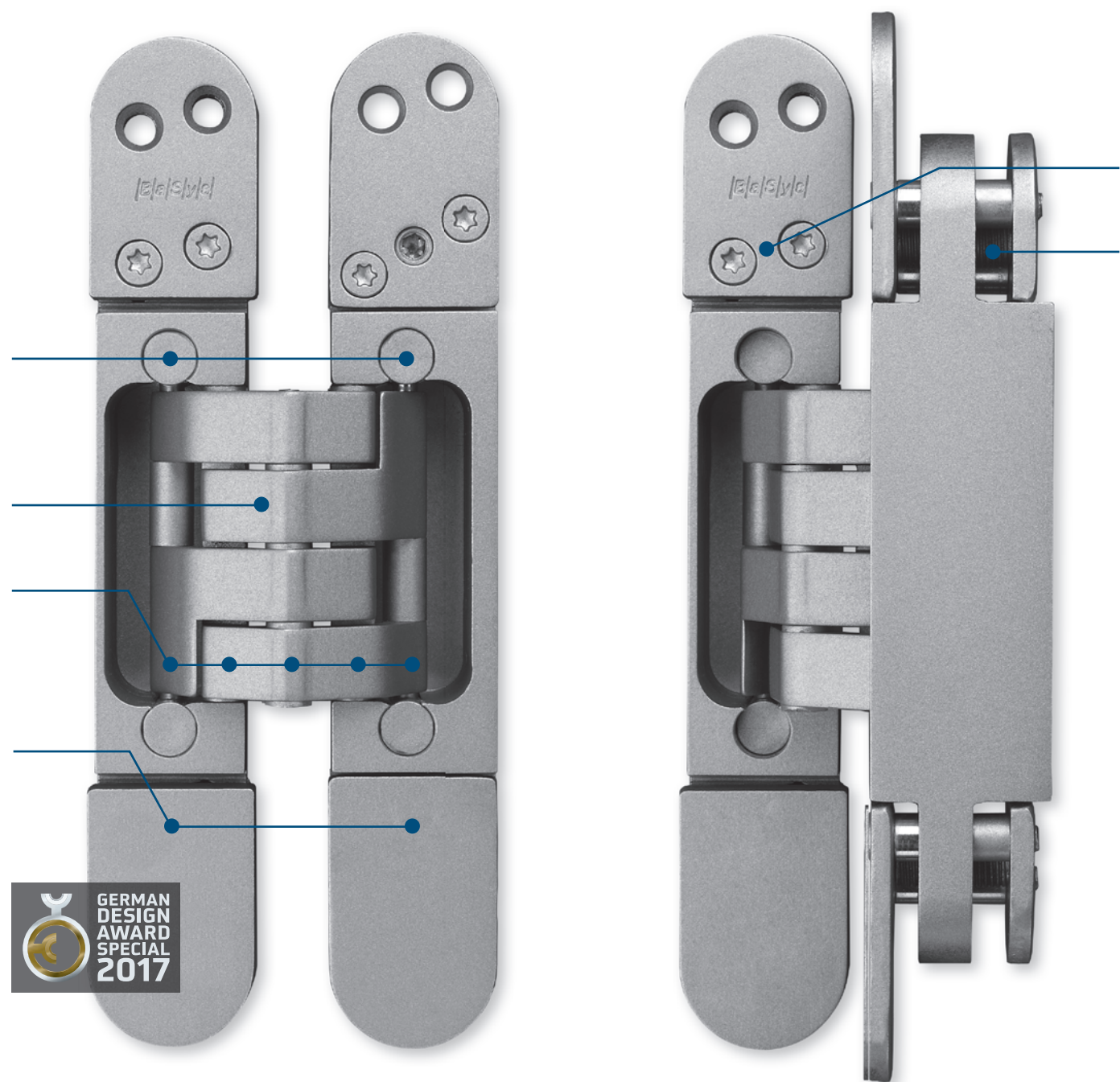
All forces acting on the kinematic guide are taken up by horizontally located axes. This type of piston guide or surface guide ensures a very high level of functional security.

The four-knuckle joint interlocks precisely to prevent twisting or tilting, even under high stress.

In conjunction with the piston guide, the five-axis joint is designed for long-term, maintenance-free operation.

The "Design" option is the ideal choice for a purist look without any affixing or adjustment screws. Magnetically attached cover caps provide easy access to the screws while concealing them in an aesthetic way.

All our products are made of high-quality materials such as solid steel, stainless steel or alloy. Standard finishes: satin nickel plated, alu look F1, stainless steel look. Other finishes available on request (see page 6).



PIVOTA® DX hinges are 3-dimensionally adjustable. Clamping plates with tothing enable load-independent adjustment of the door height and the lateral closing pressure against the seal. The rebate clearance can be adjusted by means of adjusting spindles in the door part.

The "IHA" option provides a height adjustment mechanism with the help of an additional eccentric in the frame part of the hinge.

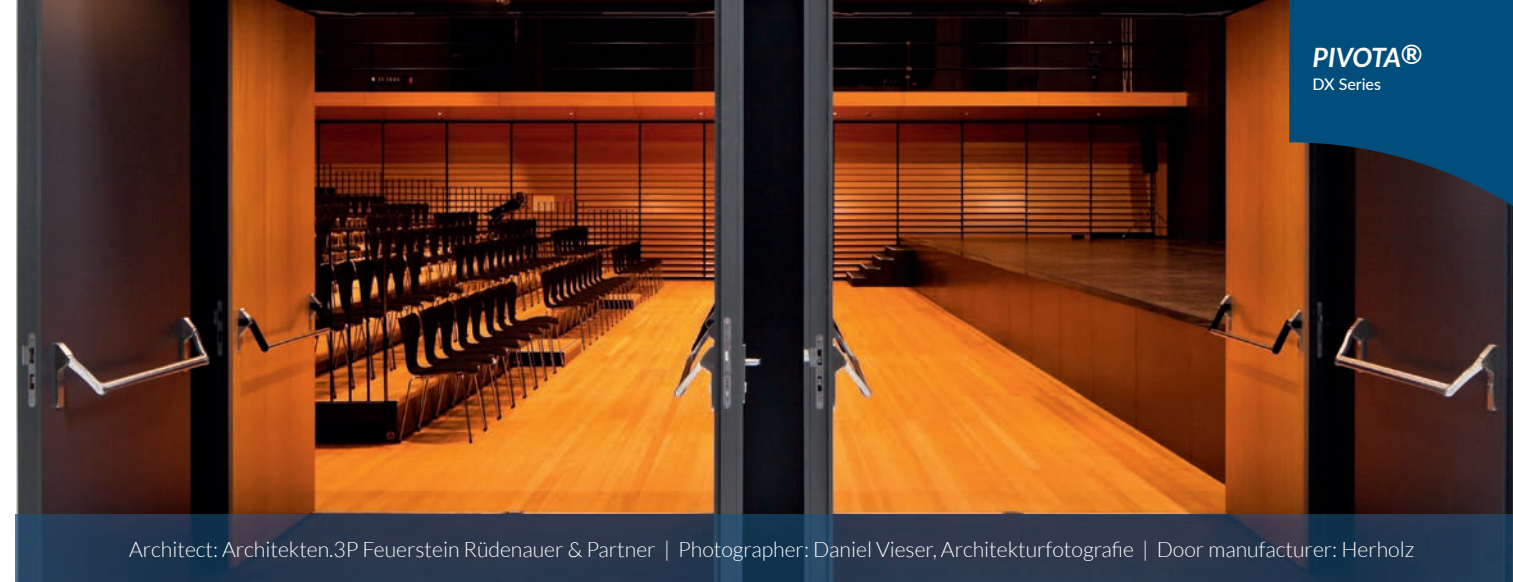
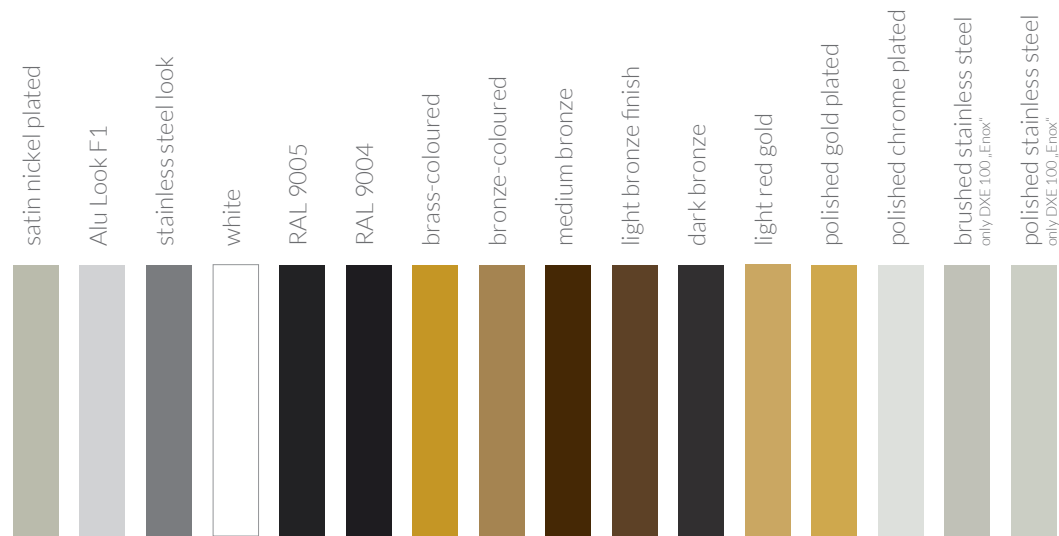
All adjustments only affect the positioning of the door. The joint mechanics of the hinges remain completely unaffected – another quality feature ensuring highest precision for daily continuous operation.

The correspondingly labelled hinges are suitable for fire doors.



Specific hinges can be optionally equipped with anti-burglary protection (RC2/RC3). "Safe" option.





Architect: Architekten.3P Feuerstein Rüdener & Partner | Photographer: Daniel Wieser, Architekturfotografie | Door manufacturer: Herholz

Finish and model guide

By load-bearing capacity, per pair *

for loads up to 60 kg	DX 35 DX 42 DX 43
for loads up to 80 kg	DX 38 „N“ DX 78 DX 80 „ZA“ DXS 61 „Close“ 2.0 DXS 80 „ZA“ „Close“ 2.0
for loads up to 100 kg	DX 60 DX 61 DX 62 DX 110
for loads up to 120 kg	DX 65 DXS 80 „ZA“ „Steel“ DX 100 DX 101 DX 102
for loads up to 160 kg	DXE 100 „Enox“ DXS 100 „Steel“ DXS 101 „Steel“ DXS 102 „Steel“ DX 120 DX 120 „33mm“ DX 120 „BFP“
for loads up to 180 kg	DXA 200 „Alu“
for loads up to 200 kg	DX 180 DX 180 „33mm“ DX 180 „BFP“ DX 190 DX 200
for loads up to 250 kg	DXS 200 „Steel“
for loads up to 300 kg	DXS 180 „Steel“ DX 300
for loads up to 350 kg	DXS 300 „Steel“

* Applies to door dimensions 1000 x 2000 mm without load-bearing factors, e.g. door closer

References

Lived reality in a sophisticated ambience

When planning a new building or renovation project, the focus is always on how functionality and spatial aesthetics can be combined with cost-effectiveness and realistic feasibility. This relates not only to the integrated

overall concept but also to the smallest part of the whole. In many commercial buildings, **BaSys** products ensure the smooth, safe and maintenance-free opening and closing of doors.



Leipzig City Library

Reliability and safety are only some of the quality features of doors in a public building. Silent functioning is another aspect for a library application. For these reasons, the architect and the door manufacturer placed their confidence in BaSys products.

PIVOTA® DX 200 3-D and DX 300 3-D carry the large door elements reliably and noiselessly.

Door manufacturer: Schörghuber Spezialtüren KG, www.schoerghuber.de

Comprehensive range of accessories.

A number of safety plates are available for installation of the PIVOTA® DX concealed hinges in casing frames or closed frames. To achieve maximum stability, the safety plates are perfectly adapted to the individual customer's frame. In combination with steel frames, hinge retainers can be inserted into the frame. Fixing sets can be used to fix the hinges in steel doors. Routing jigs and routing templates are also available.

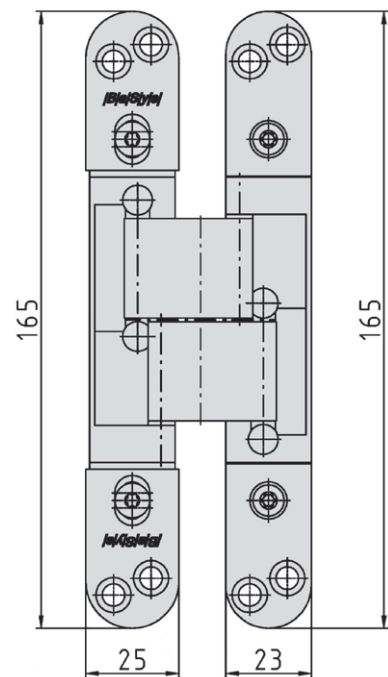
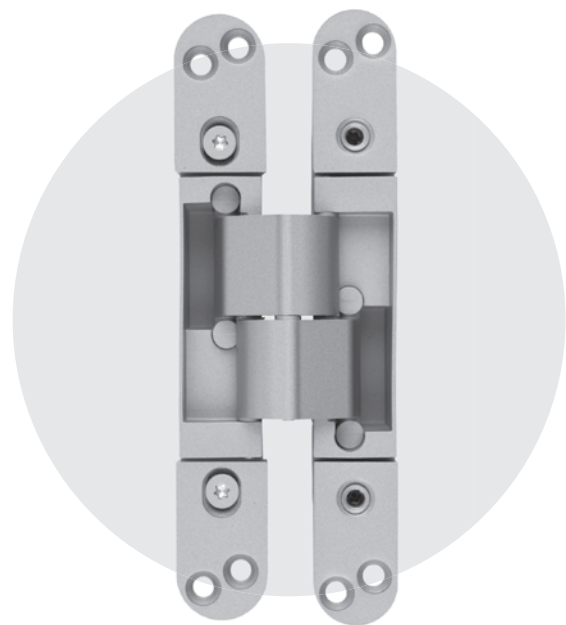




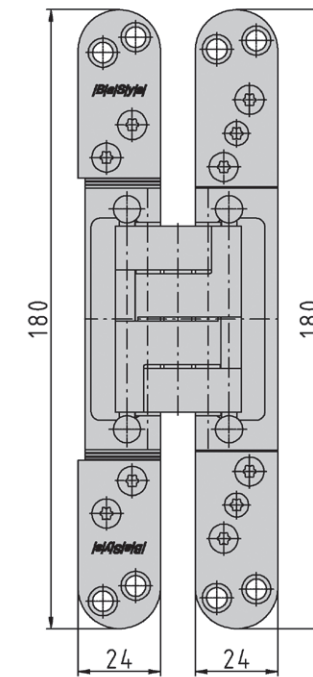
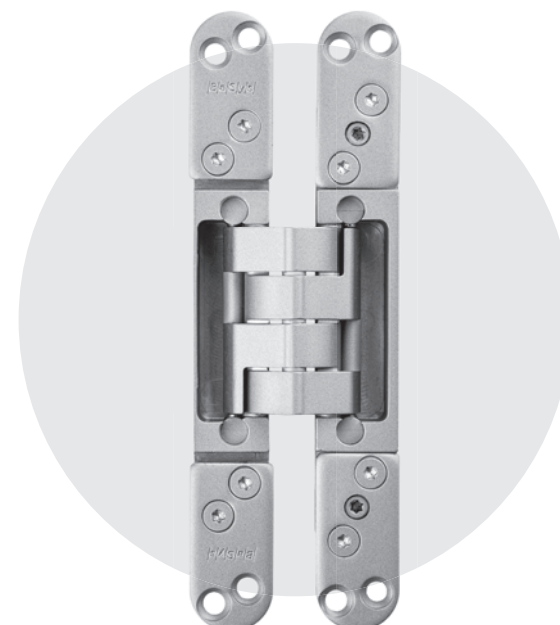
Photographer: Daniel Vieser, Architekturfotografie

PIVOTA®


The small ones



PIVOTA®
DX 35 3-D „LT“




PIVOTA®
DX 38 „N“ 3-D

	DX 35
Door weight per pair	60 kg
Design	-
IHA	-
Safe	-
Fire safety 	-
CE	-
UL	-
Catalogue page	DX.031



Key: - not available | • Optionally available | ✓ Standard

	DX 38 „N“
Door weight per pair	80 kg
Design	•
IHA	-
Safe	-
Fire safety 	-
CE	✓
UL	-
Catalogue page	DX.038 / DX.038b

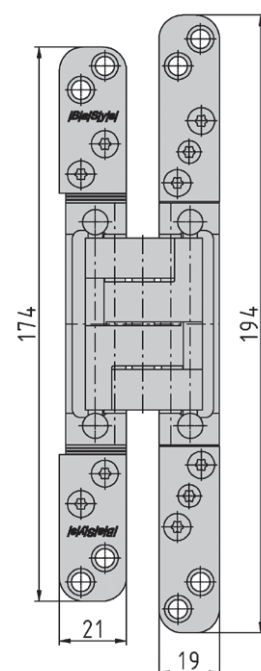
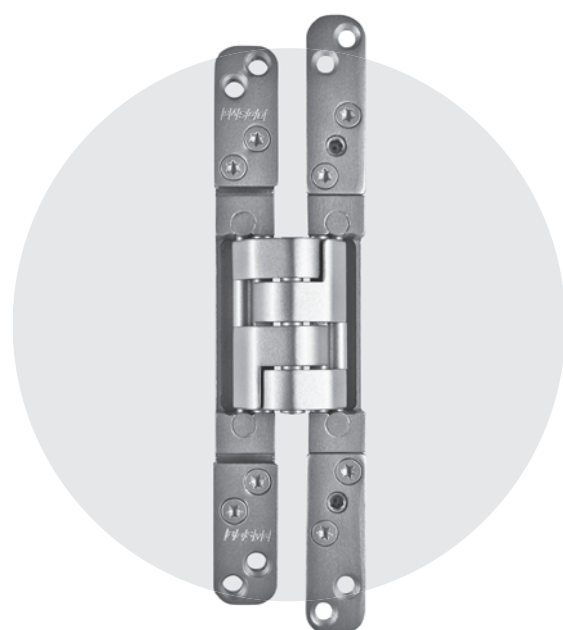
Key: - not available | • Optionally available | ✓ Standard



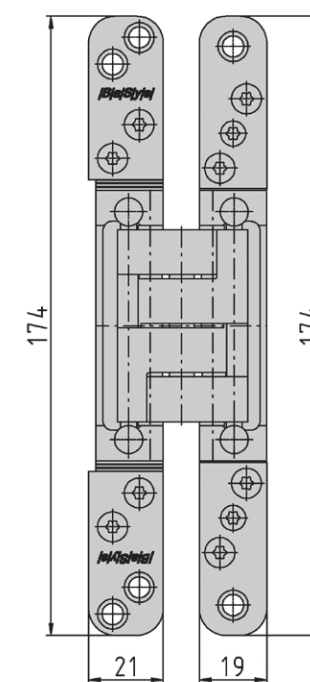
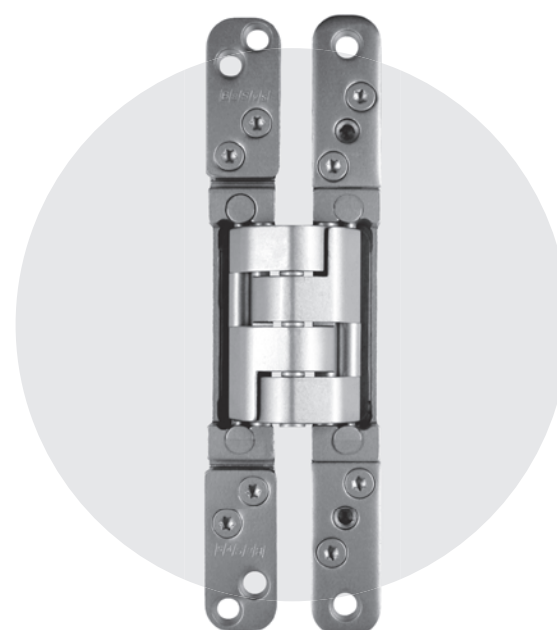
Photographer: Daniel Vieser, Architekturfotografie

PIVOTA®

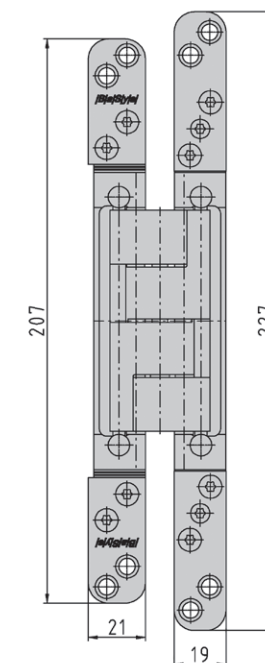
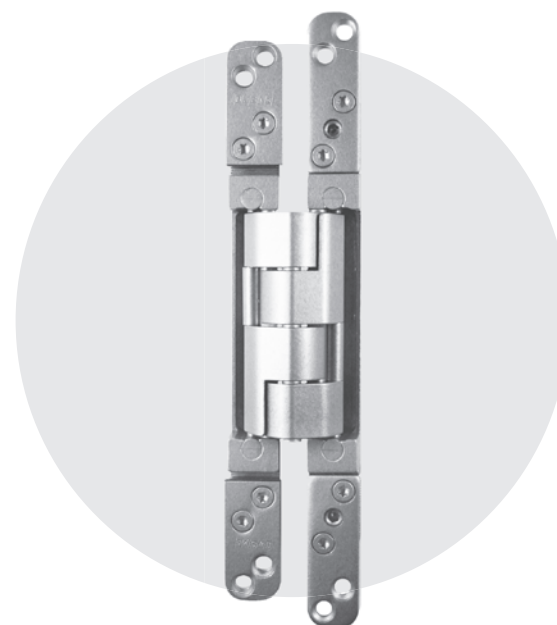
The narrow ones




PIVOTA®
DX 42 3-D



PIVOTA®
DX 43 3-D



PIVOTA®
DX 78 3-D

	DX 42	DX 43	DX 78
Door weight per pair	60 kg	60 kg	80 kg
Design	•	•	•
IHA	-	-	-
Safe	-	-	-
Fire safety 	-	-	-
CE	-	-	-
UL	-	-	-
Catalogue page	DX.040	DX.043	DX.078

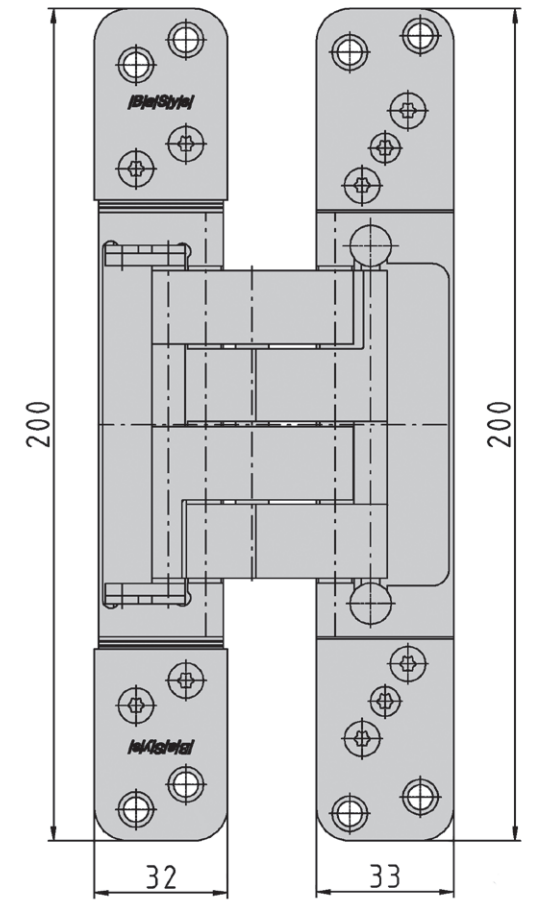
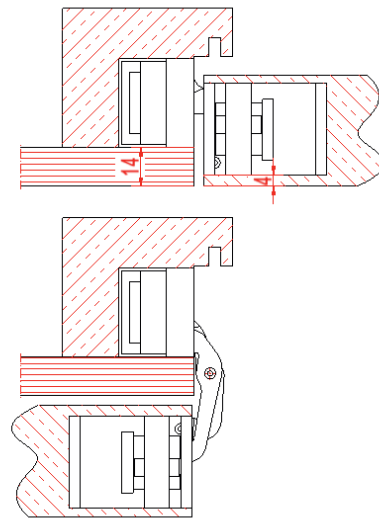
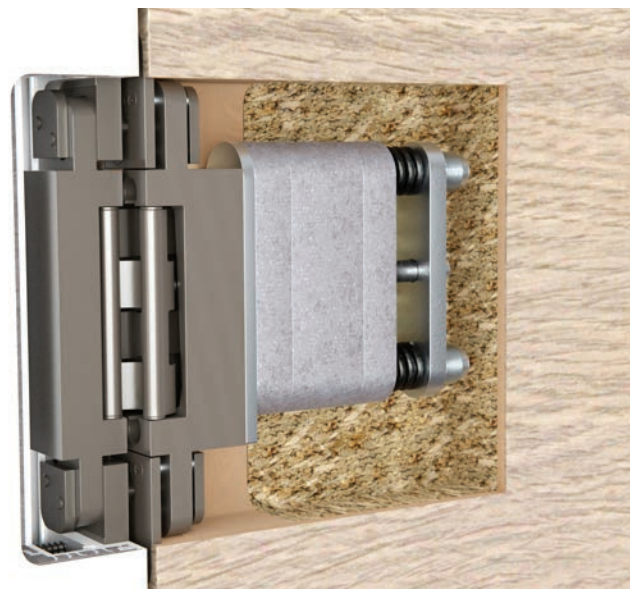
Key: - not available | • Optionally available | ✓ Standard



Photographer: Daniel Wieser, Architekturfotografie

PIVOTA®

The offset one



PIVOTA®
DX 80 3-D „ZA“
DXS 80 3-D „ZA“ „Steel“
DXS 80 3-D „ZA“ „Close“ 2.0

	DX 80 „ZA“	DXS 80 „ZA“ „Steel“	DXS 80 „ZA“ „Close“ 2.0 ^{self-closing}
Door weight per pair	80 kg	120 kg	80 kg
Design	•	•	•
IHA	-	-	-
Safe	-	-	-
Fire safety	-	-	-
CE	-	-	-
UL	-	-	-
Catalogue page	DX.080	DX.086	DX.088

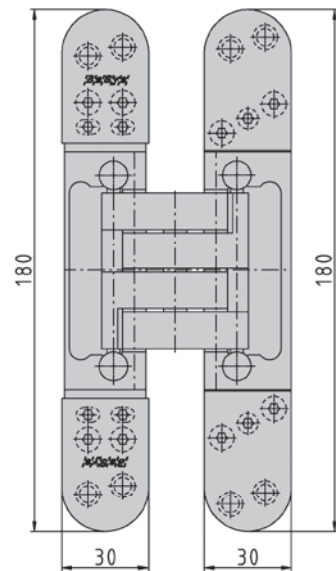
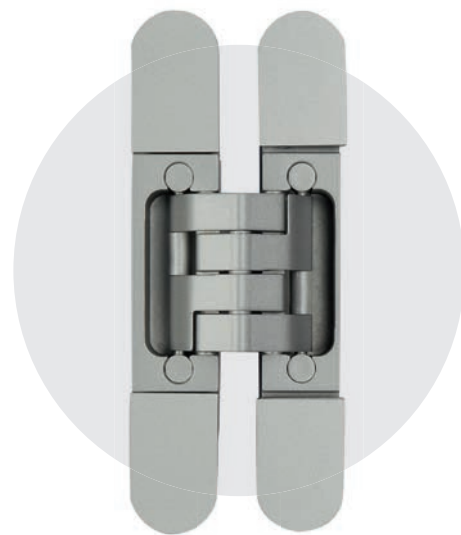
Key: - not available | • Optionally available | ✓ Standard

Key: - not available | • Optionally available | ✓ Standard

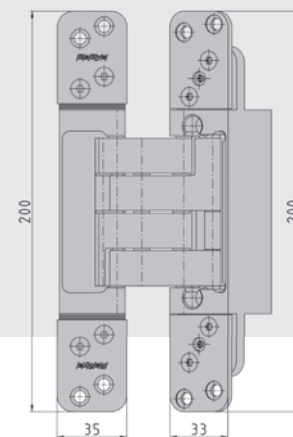
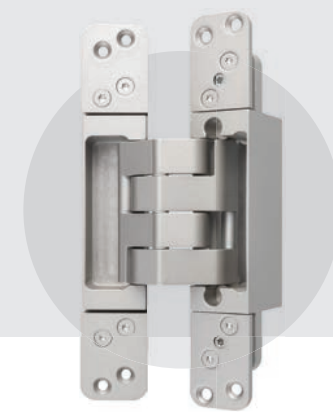


PIVOTA®

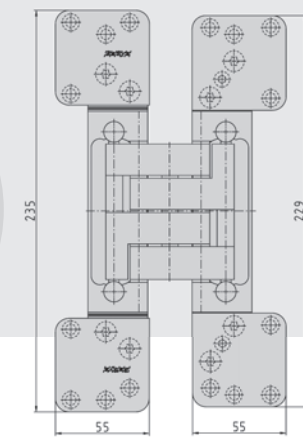
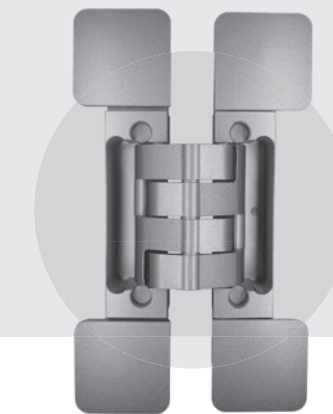
The turners (suitable for claddings, see also page 18)



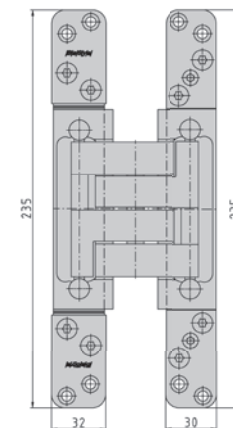
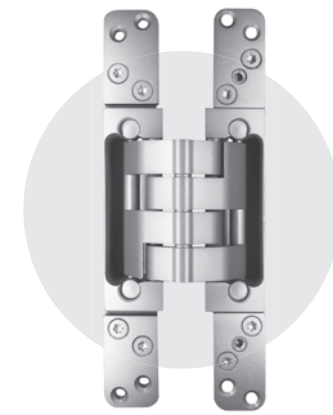
PIVOTA®
DX 65 3-D „Design“



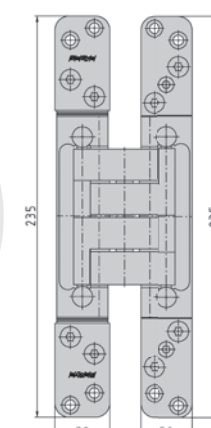
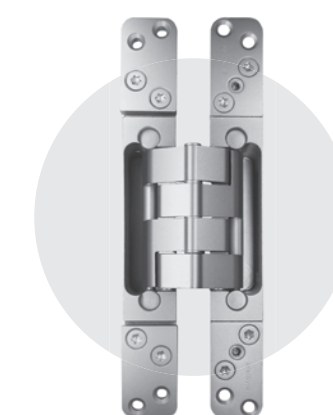
PIVOTA®
DX 110



PIVOTA®
DX 120 3-D „BFP“
DX 180 3-D „BFP“



PIVOTA®
DX 120 3-D „33mm“
DX 180 3-D „33mm“



PIVOTA®
DX 190 3-D

	DX 65	DX 110	DX 120 „33mm“	DX 120 „BFP“
Door weight per pair	120 kg	100 kg	160 kg	160 kg
Possible doubling for R=0 mm on frame and sash	6 mm	10 mm	8 mm / 13 mm	26 mm
Design	✓	•	•	✓
IHA	-	-	-	-
Safe	-	-	•	•
Fire safety	✓	-	-	-
CE	✓	-	✓	✓
UL	✓	-	-	-
Catalogue page	DX.065	-	DX.123	DX.124

Key: - not available | • Optionally available | ✓ Standard

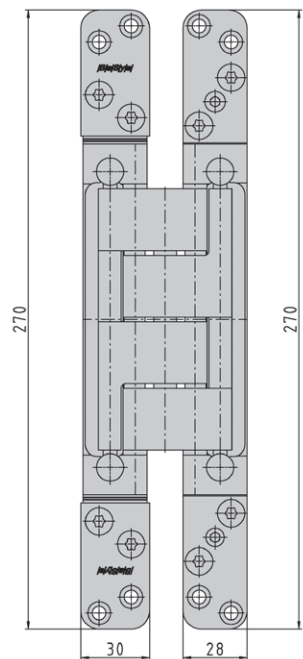
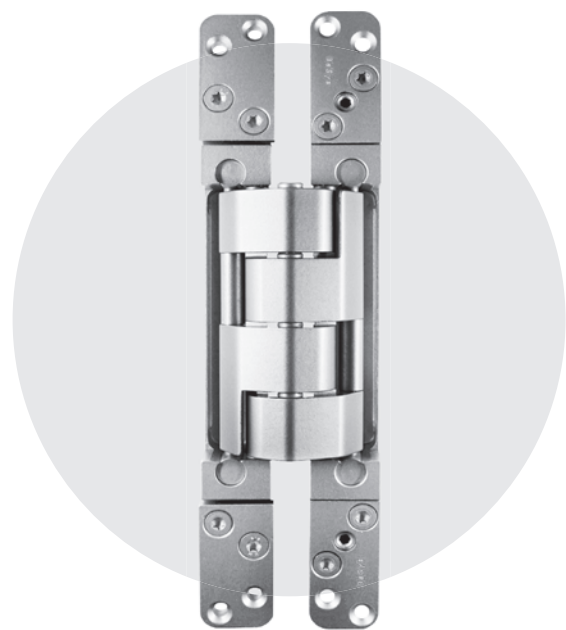
	DX 180 „33mm“	DX 180 „BFP“	DX 190
Door weight per pair	200 kg	200 kg	200 kg
Possible doubling for R=0 mm on frame and sash	8 mm / 13 mm	26 mm	6 mm
Design	•	✓	•
IHA	-	-	-
Safe	•	•	•
Fire safety	✓	✓	✓
CE	✓	✓	✓
UL	-	-	-
Catalogue page	DX.183	DX.184	DX.190

Key: - not available | • Optionally available | ✓ Standard



PIVOTA®

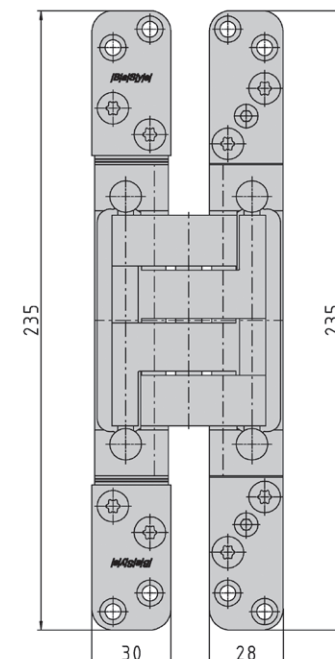
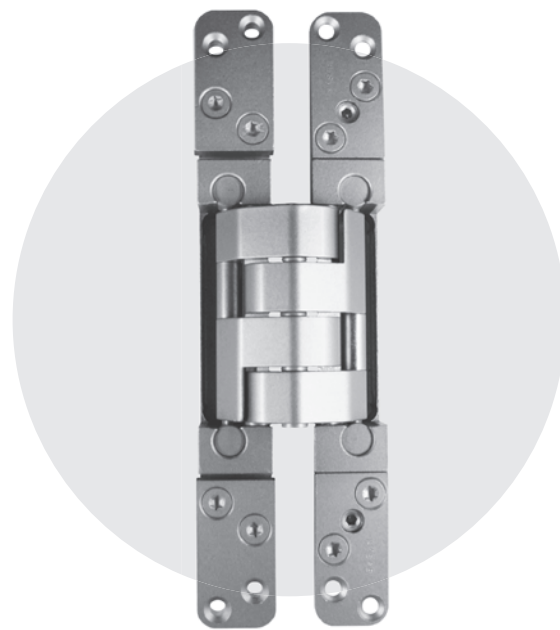
With identical cutouts - **Cutout A**



PIVOTA®
DX 300 3-D
DXS 300 3-D „Steel“

PIVOTA®

With identical cutouts - **Cutout B**



PIVOTA®
DXA 200 3-D „Alu“
DX 200 3-D
DXS 200 3-D „Steel“

	DX 300	DXS 300 „Steel“
Door weight per pair	300 kg	350 kg
Design	•	•
IHA	-	-
Safe	•	•
Fire safety	✓	✓
CE	✓	✓
UL	✓	✓
Catalogue page	DX.300	DX.350

Key: - not available | • Optionally available | ✓ Standard

	DXA 200 „Alu“	DX 200	DXS 200 „Steel“
Door weight per pair	180 kg	200 kg	250 kg
Design	•	•	•
IHA	-	-	-
Safe	•	•	•
Fire safety	✓	✓	✓
CE	✓	✓	✓
UL	✓	✓	✓
Catalogue page	DX.200	DX.210	DX.250

Key: - not available | • Optionally available | ✓ Standard

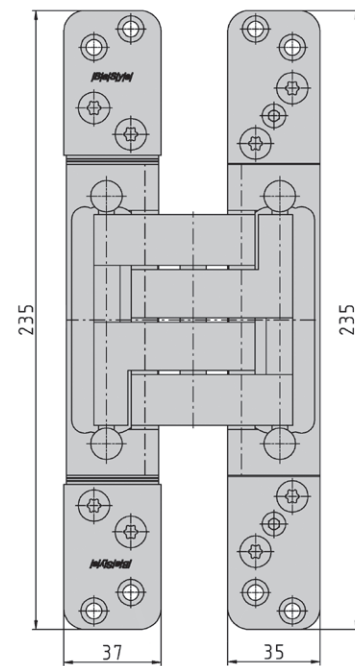
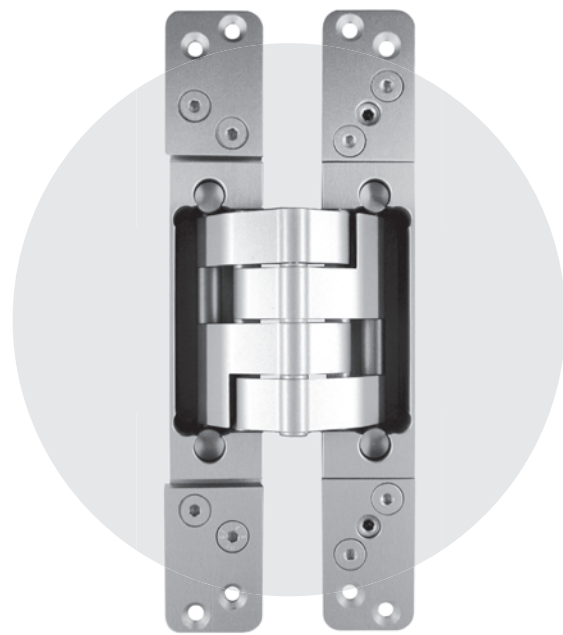


Scan the QR code with your smartphone to view the video.



PIVOTA®

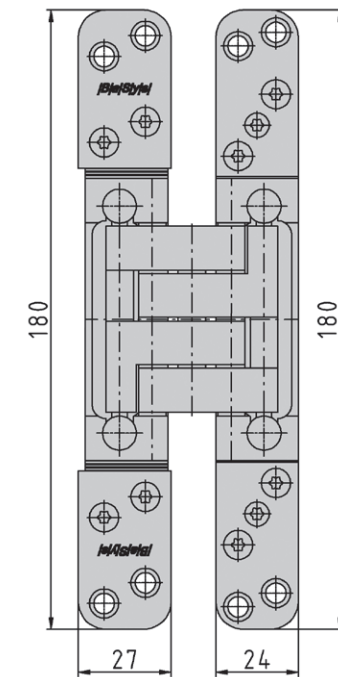
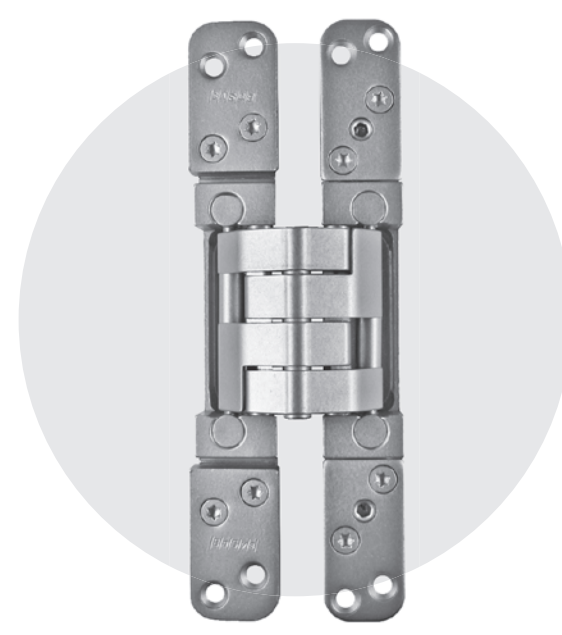
With identical cutouts - **Cutout C** (suitable for claddings up to 8 mm)



PIVOTA®
DX 120 3-D
DX 180 3-D
DXS 180 3-D „Steel“

PIVOTA®

With identical cutouts - **Cutout D**



PIVOTA®
DX 60 3-D
DX 100 3-D
DXS 100 3-D „Steel“
DXE 100 3-D „Enox“

	DX 120	DX 180	DXS 180 „Steel“
Door weight per pair	160 kg	200 kg	300 kg
Design	•	•	•
IHA	-	-	-
Safe	•	•	•
Fire safety	-	✓	✓
CE	✓	✓	✓
UL	-	-	✓
Catalogue page	DX.120	DX.180	DX.180c

Key: - not available | • Optionally available | ✓ Standard

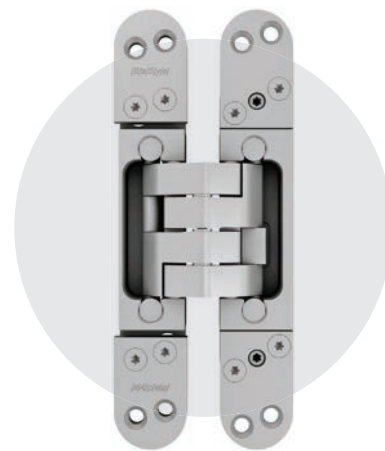
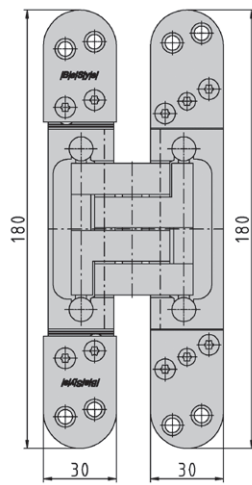
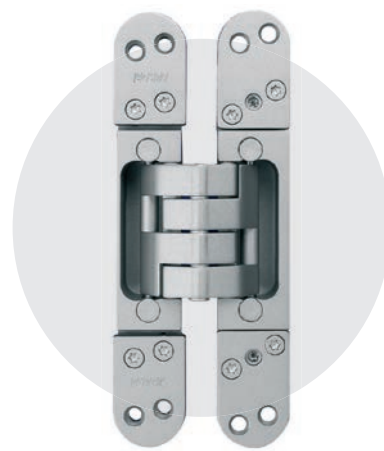
	DX 60	DX 100	DXS 100 „Steel“	DXE 100 „Enox“
Door weight per pair	100 kg	120 kg	160 kg	160 kg
Design	•	•	•	•
IHA	•	•	-	-
Safe	-	-	-	-
Fire safety	✓	✓	✓	✓
CE	✓	✓	✓	✓
UL	✓	✓	✓	✓
Catalogue page	DX.060	DX.100	DX.100c	DX.100d

Key: - not available | • Optionally available | ✓ Standard



PIVOTA®

With identical cutouts - **Cutout E**



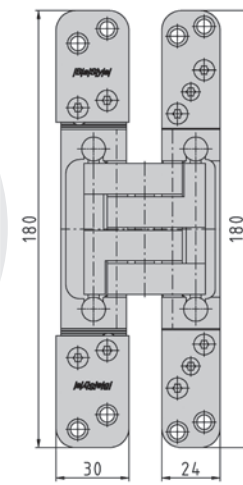
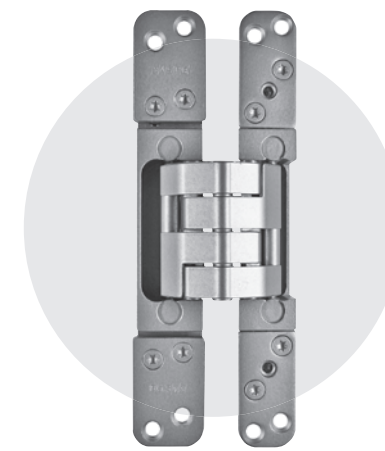
PIVOTA®
DX 61 3-D
DXS 61 „Close“ 2.0
DX 101 3-D
DXS 101 3-D „Steel“

	DX 61	DXS 61 „Close“ 2.0 self-closing	DX 101	DXS 101 „Steel“
Door weight per pair	100 kg	80 kg	120 kg	160 kg
Design	•	•	•	•
IHA	•	-	•	-
Safe	•	-	•	•
Fire safety	✓	-	✓	✓
CE	✓	-	✓	✓
UL	✓	-	✓	✓
Catalogue page	DX.061	DX.061e	DX.101	DX.101c

Key: - not available | • Optionally available | ✓ Standard

PIVOTA®

With identical cutouts - **Cutout F**



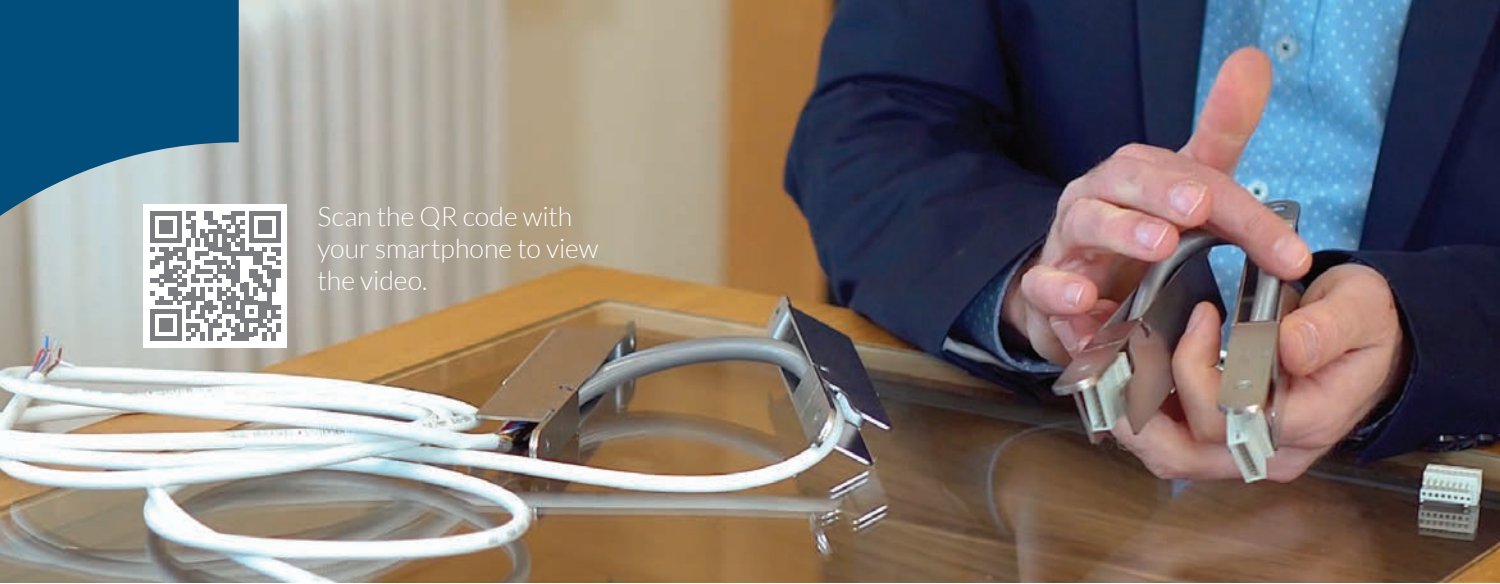
PIVOTA®
DX 62 3-D
DX 102 3-D
DXS 102 3-D „Steel“

	DX 62	DX 102	DXS 102 „Steel“
Door weight per pair	100 kg	120 kg	160 kg
Design	•	•	•
IHA	-	-	-
Safe	-	-	-
Fire safety	✓	✓	✓
CE	✓	✓	✓
UL	✓	✓	✓
Catalogue page	DX.062	DX.102	DX.102c

Key: - not available | • Optionally available | ✓ Standard

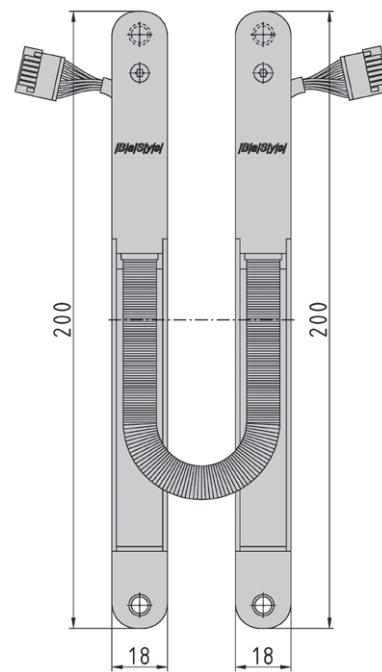
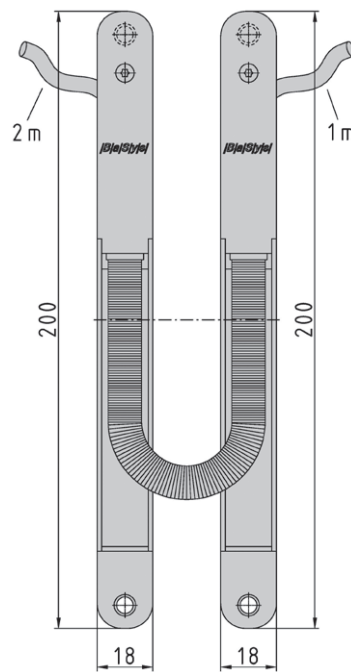


Scan the QR code with your smartphone to view the video.



PIVOTA®

The power-assisted one



PIVOTA®
Connect K
with cables
for on-site
connection

PIVOTA®
Connect S
with connectors
for on-site
connection

	Connect K/S
Can be combined with	PIVOTA® DX and FX
Voltage	max. 48 V DC
Current	max. 3,0 A (0,34 mm ²)
Temperature range	-40°C to +80°C
Fire safety	✓
CE	-
UL	-
Catalogue page	DX.500

Key: - not available | • Optionally available | ✓ Standard

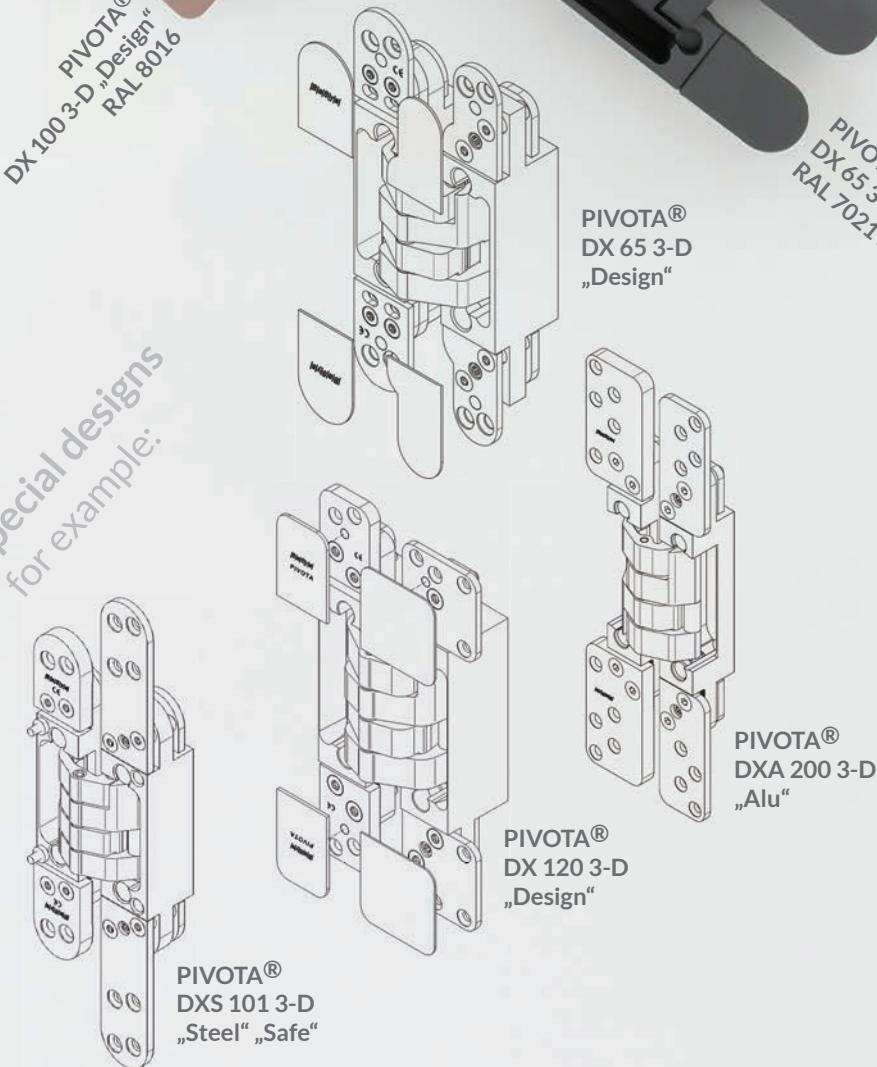
PIVOTA®

Special solutions

Special colours
for example:



Special designs
for example:



The right hinge for every requirement.



BaSys product world

From a single source

Made in Germany

Under this brand name we develop, produce and market the complete fittings range for well-known manufacturers in the German and European door and frame industry, as well as for international trade and industry customers. Alongside this main focus, our product

range is complemented by high quality furniture fittings and specially developed functional hinges, including for anti-burglary, fire protection and noise insulation applications.

PIVOTA® – Concealed hinge systems

OBJECTA® – Hinge systems for commercial property doors

STABILO® – Striking-plate systems

COMBICA® – Hinge systems for apartment doors

MASTERBAND – Hinge systems for front doors



**INNOVATIONSPREIS
ARCHITEKTUR +
BAUWESEN**



Cover photograph photographer: Daniel Wieser, Architekturfotografie

B|a|S|y|s|
Bartels Systembeschläge GmbH

FITTINGS WITH IDEAS

Bartels Systembeschläge GmbH

Gewerbegebiet Echternhagen 2
32689 Kalletal

Tel.: +49 (0) 5264 6473-0

Fax: +49 (0) 5264 6473-30

vertrieb@basys.biz

www.basys.biz