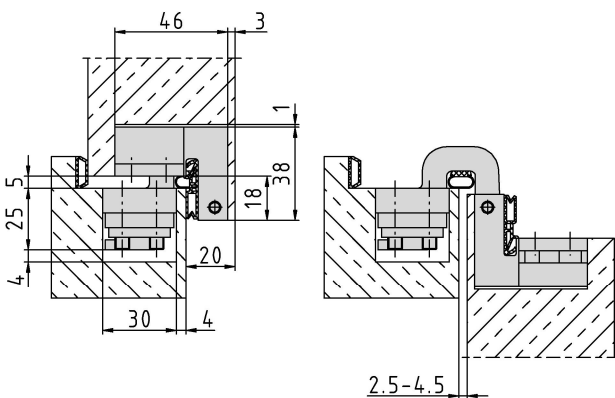


Additional Information

- Standard load: Maximum door weight 120 kg (per pair)
- Application: Concealed hinge for rebated front doors with continuous sealing, hinge leaves are mortised into frame and door; 3-dimensional adjustability, maintenance-free bearings;
- Receiver: not necessary
- Accessories: Safety plate for frame part, retainer for casing or steel frames

Section Drawing



Certified according to



Item	Finish	PU
041068	satın nickel platec	1
S20059	RAL 9004 matt	1