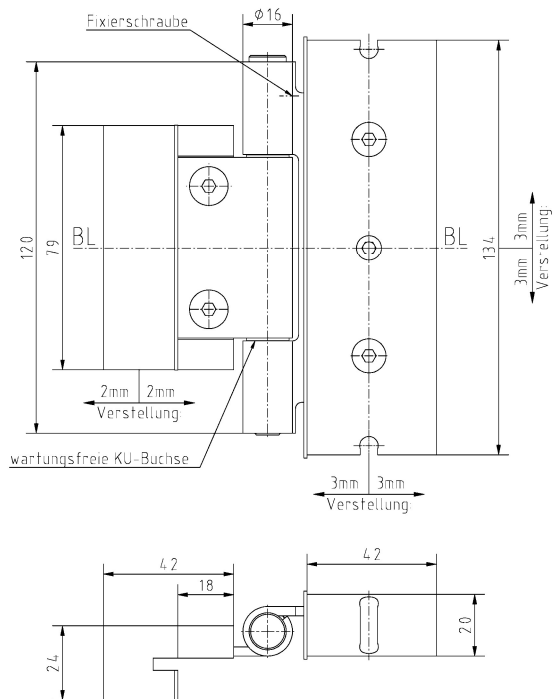


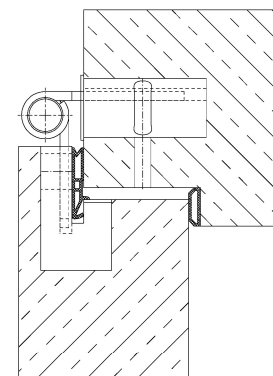
**MASTERBAND® 120 3-D CS**



**Additional Information**

Standard load: Maximum door weight 150 kg (per set)  
 Application: for rebated front doors with continuous sealing, maintenance-free, with security pin, detachable when mounted, adjustable by excenter  
 Accessories: Decorative head and other finishes available

**Section Drawing**



Item	Finish	PU
040473	enox brushed	1