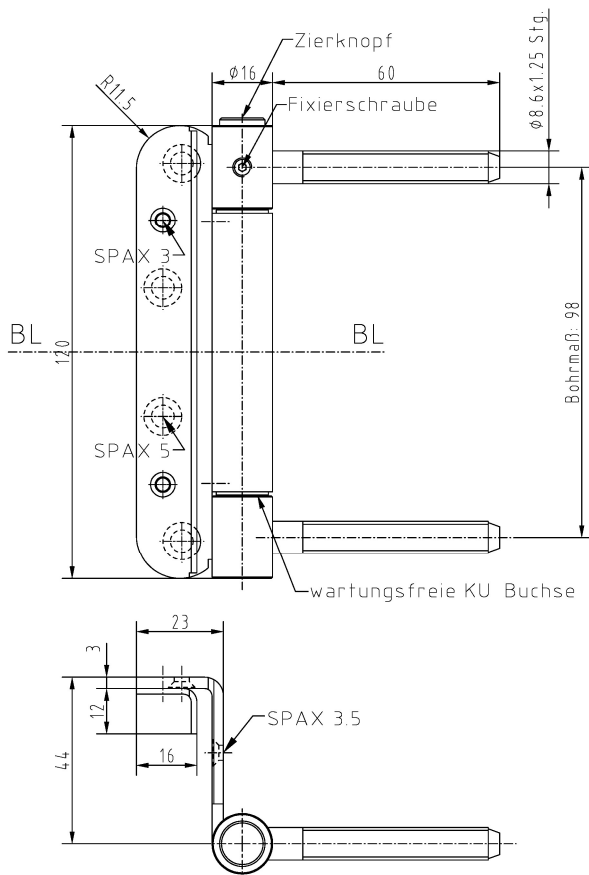


**Hinge 120MF DH66 (V4A)**



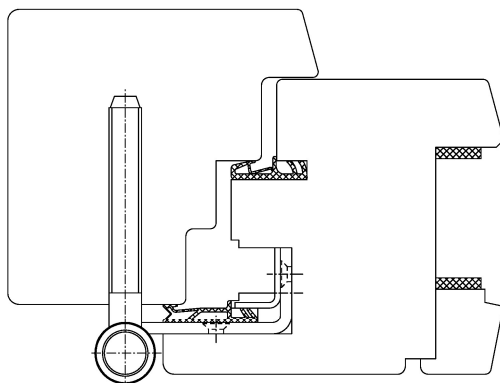
**Additional Information**

Standard load: Maximum door weight 120 kg (per pair)

Application: 3 component hinge for rebated wooden doors with continuous sealing, maintenance-free, with security pin

Accessories: Decorative head and other finishes available

**Section Drawing**



Item	Finish	PU
040023	enox brushed	15