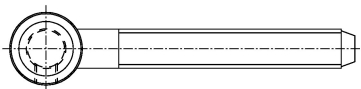
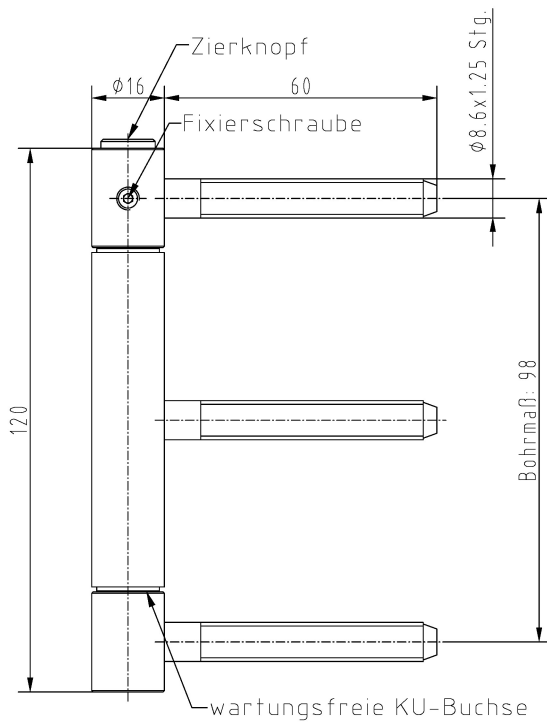


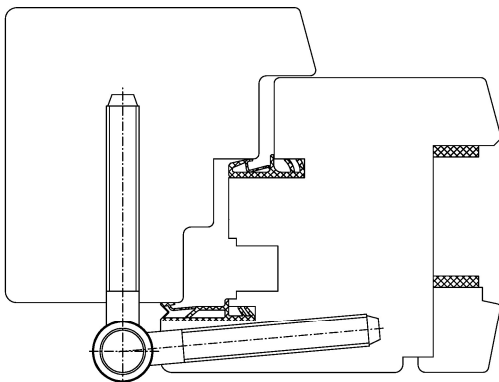
Srew-in hinge 120 MF DH66



Additional Information

Standard load: Maximum door weight 120 kg (per pair)
Application: 3 component drill-in hinge for rebated wooden doors, maintenance-free, with security pin
Accessories: Decorative head and other finishes available

Section Drawing



Item	Finish	PU
039206	enox brushed	20