

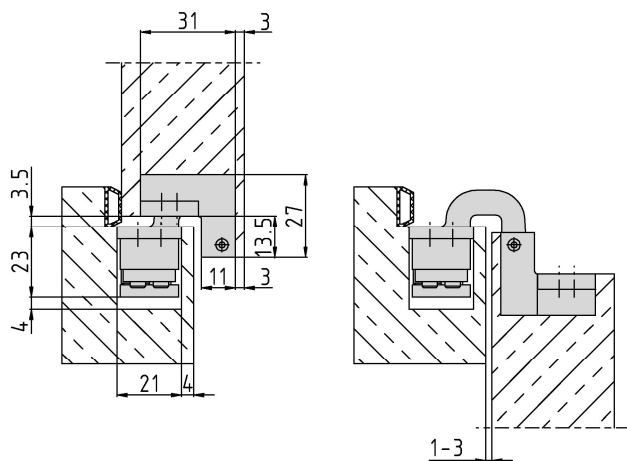
Spanplattenschraube  $\varnothing 4.5$   
Senkschraube ISO 14581 - M5



**Additional Information**

Standard load: Maximum door weight 80 kg (per pair)  
Application: Concealed hinge for rebated doors, hinge leaves are mortised into frame and door; 3-dimensional adjustability, maintenance-free bearings;  
Accessories: Safety plate for frame part, retainer for casing or steel frames  
Note: also available in "Design"-option

**Section Drawing**



Certified according to



Item	Finish	PU
041108	satin nickel plated	2
041168	Alu Look F1	2