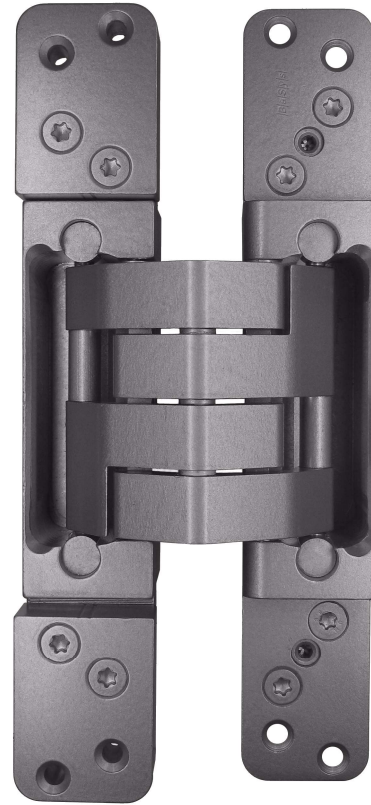
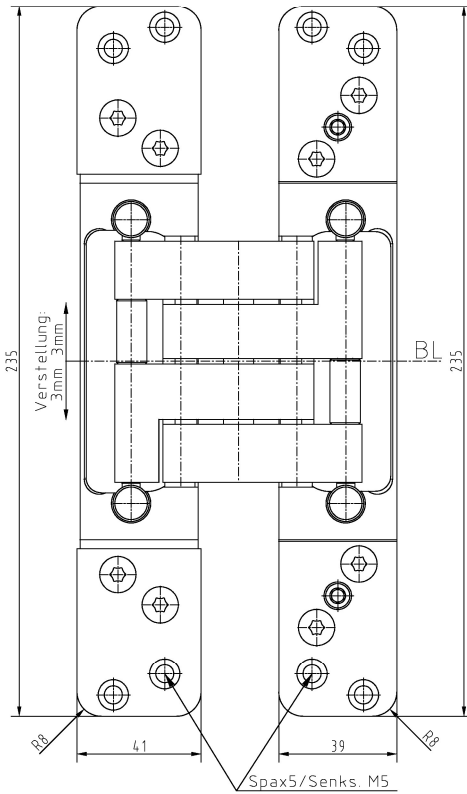
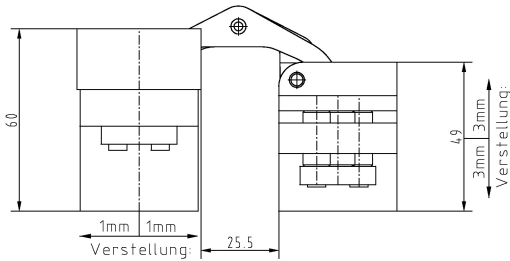


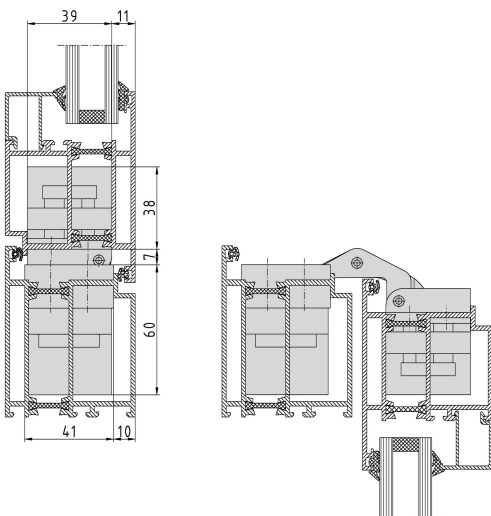
PIVOTA® FX1 100 3-D "AL"



Additional Information

- Standard load: Maximum door weight 120 kg (per pair)
- Application: Concealed hinge for aluminium profile doors, hinge leaves are mortised into frame and door; 3-dimensional adjustability, maintenance-free bearings
- Accessories: Fixing elements for aluminium profiles, individually adopted

Section Drawing



Item	Finish	PU
039143	satin nickel platec	1