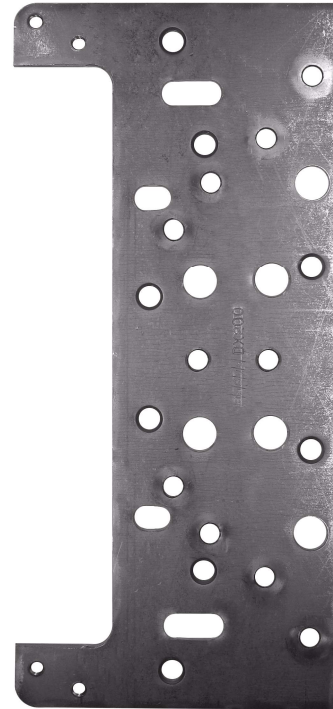
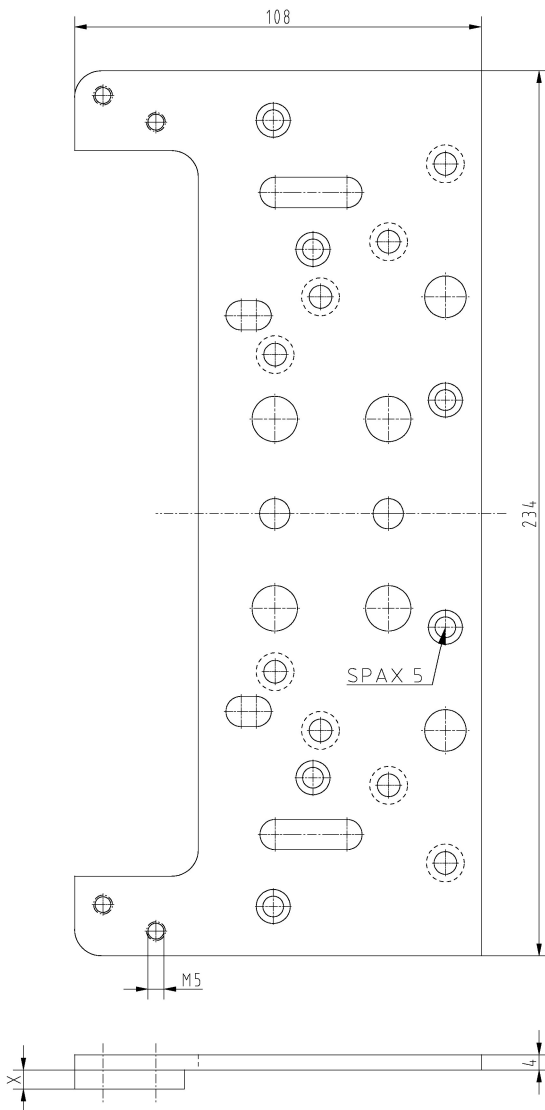


**Safety Plate DX 190/DX 200**

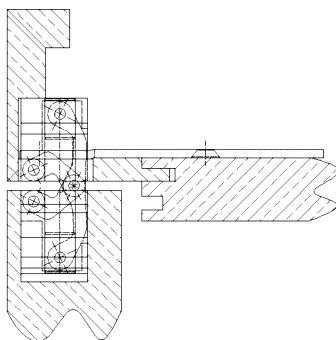


**Additional Information**

**Application:** Screwing of concealed hinge PIVOTA® DX 190 3-D and DX 200 3-D into wooden frames; the plate is resized to the customer's frame by means of cranks or welded on spacers; the adapted shape provides utmost stability

**Combination:** Concealed hinge PIVOTA® DX 190 3-D DXA 200 3-D "Alu", DX 200 3-D and DXS 200 3-D "Steel"

**Section Drawing**



Item	Finish	PU Remark
037781	without finish	30 SI-Blech DX 1-190/DX 200/0,0
039539	without finish	30 SI-Blech DX 1-190/DX 200/-1,0
037828	without finish	30 SI-Blech DX 1-190/DX 200/3,0
037620	without finish	30 SI-Blech DX 1-190/DX 200/5,0