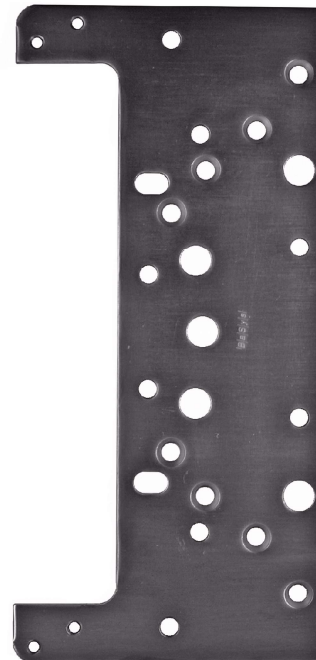
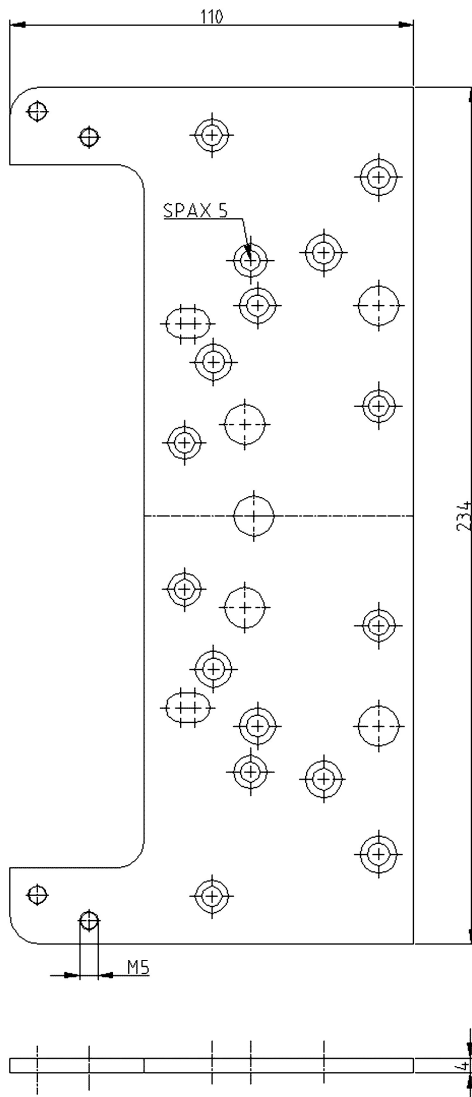


**Safety Plate DX 120/DX 180**

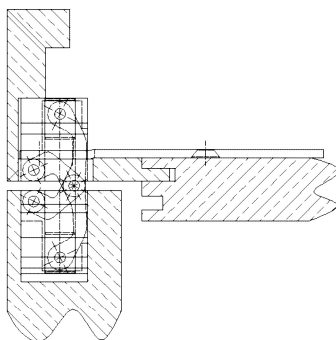


**Additional Information**

**Application:** Screwing of concealed hinge PIVOTA® DX 120 and 180 3-D into wooden frames; the plate is resized to the customer's frame by means of cranks or welded on spacers; the adapted shape provides utmost stability

**Combination:** Concealed hinge PIVOTA® DX 120 3-D and DX 180 3-D

**Section Drawing**



Item	Finish	PU Remark
039071	without finish	40 SI-Blech DX 1-180/0,0
039306	zinc plated	40 SI-Blech DX 1-180/0,0