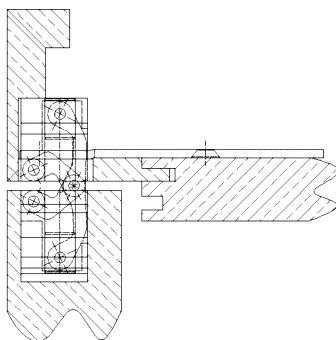


Additional Information

Application: Screwing of concealed hinges PIVOTA® DX 61 3-D and DX 101 3-D into wooden frames; the plate is adapted to the client's frame by means of cranks or spacers; the adapted shape provides utmost stability

Combination: Concealed hinges PIVOTA® DX 61 3-D and DX 101 3-D

Section Drawing



Item	Finish	PU Remark
037875	without finish	60 SI-Blech DX 61/DX 101/0,0
039038	zinc plated	40 SI-Blech DX 61/DX 101/0,0
039049	without finish	60 SI-Blech DX 61/DX 101/1,0
039525	zinc plated	40 SI-Blech DX 61/DX 101/2,0
039307	without finish	60 SI-Blech DX 61/DX 101/3,0
037970	without finish	60 SI-Blech DX 61/DX 101/4,0
037553	without finish	60 SI-Blech DX 61/DX 101/5,0
039039	zinc plated	40 SI-Blech DX 61/DX 101/5,0
040723	without finish	60 SI-Blech DX 61/DX 101/6,5
037884	without finish	60 SI-Blech DX 61/DX 101/8,0
037873	without finish	50 SI-Blech DX 61/DX 101/9,0
039040	zinc plated	40 SI-Blech DX 61/DX 101/9,0