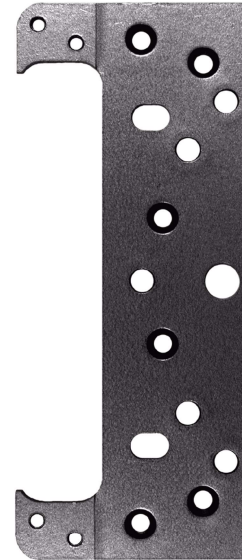
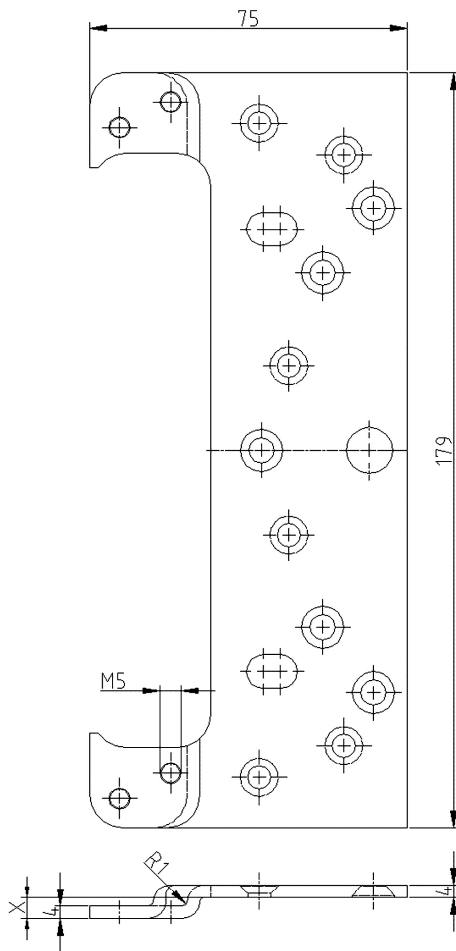


Safety Plate DX 60/DX 100 narrow

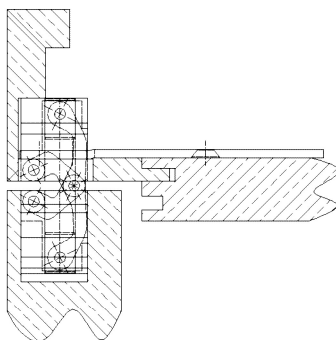


Additional Information

Application: Screwing of concealed hinges PIVOTA® hinges into wooden frames; the plate is resized to the customer's frame by means of cranks or welded on spacers; the adapted shape provides utmost stability

Combination: Concealed hinges PIVOTA® DX 60 3-D, DX 62 3-D, DX 100 3-D and DX 102 3-D

Section Drawing



Item	Finish	PU Remark
037832	without finish	60 SI-Blech DX 2-100/0,0
037644	without finish	60 SI-Blech DX 2-100/0,5
037690	without finish	60 SI-Blech DX 2-100/1,5
037691	without finish	60 SI-Blech DX 2-100/3,0
037821	without finish	100 SI-Blech DX 2-100/3,5
037814	without finish	60 SI-Blech DX 2-100/6,5
037663	without finish	60 SI-Blech DX 2-100/8,0