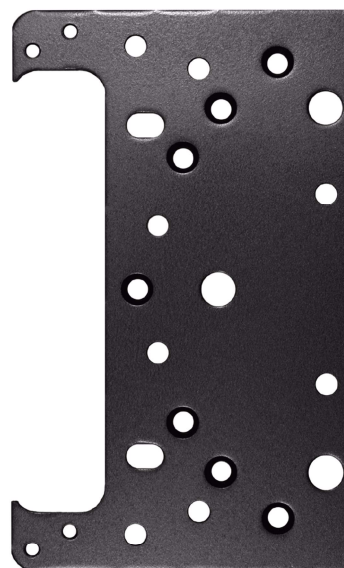
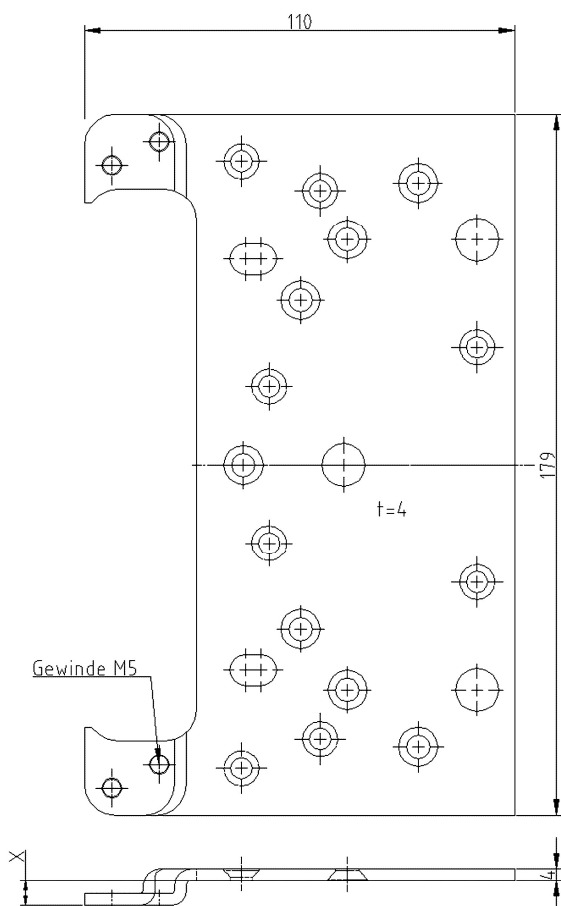


Safety Plate DX 60/DX 100 wide

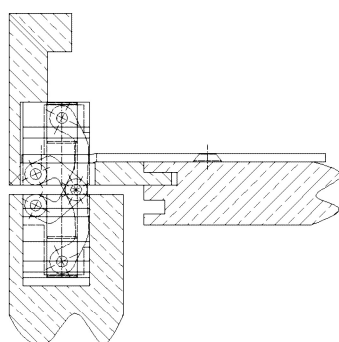


Additional Information

Application: Screwing of concealed hinges PIVOTA® hinges into wooden frames; the plate is resized to the customer's frame by means of cranks or welded on spacers; the adapted shape provides utmost stability

Combination: Concealed hinges PIVOTA® DX 60 3-D, DX 62 3-D, DX 100 3-D and DX 102 3-D

Section Drawing



Item	Finish	PU Remark
037823	without finish	30 SI-Blech DX 1-100/0,0
037599	without finish	40 SI-Blech DX 1-100/0,5
037533	without finish	40 SI-Blech DX 1-100/1,5
037641	without finish	30 SI-Blech DX 1-100/3,0
037817	without finish	100 SI-Blech DX 1-100/3,5
037617	without finish	50 SI-Blech DX 1-100/5,0
037815	without finish	40 SI-Blech DX 1-100/5,5
037809	without finish	60 SI-Blech DX 1-100/6,0
037618	without finish	40 SI-Blech DX 1-100/6,5
037686	without finish	40 SI-Blech DX 1-100/7,0
037836	without finish	100 SI-Blech DX 1-100/8,0