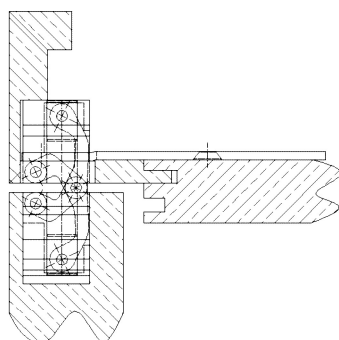


Additional Information

Application: Screwing of concealed hinge PIVOTA® DX 58 3-D into wooden frames; the plate is resized to the customer's frame by means of cranks or welded on spacers; the adapted shape provides utmost stability

Combination: Concealed hinge PIVOTA® DX 58 3-D

Section Drawing



Item	Finish	PU Remark
039545	without finish	40 SI-Blech DX 1-58/0,0
037894	without finish	40 SI-Blech DX 1-58/1,5
041162	without finish	40 SI-Blech DX 1-58/3,0
041163	without finish	40 SI-Blech DX 1-58/4,5
039684	without finish	40 SI-Blech DX 1-58/5,0
040152	without finish	40 SI-Blech DX 1-58/6,0