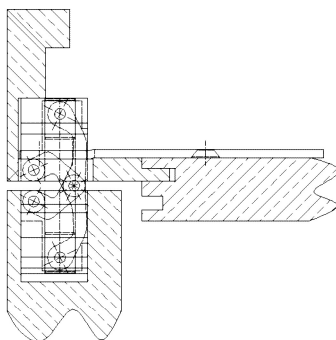


### Additional Information

**Application:** Screwing of Concealed Hinge PIVOTA® into wooden frames; the plate is resized to the customer's frame by means of cranks or welded on spacers; the adapted shape provides utmost stability

**Combination:** Concealed Hinge PIVOTA® DX 42 3-D, DX 43 3-D, FX2 60 3-D

### Section Drawing



Item	Finish	PU Remark
039286	without finish	50 SI-Blech DX 1-43/4,5 FX 2-60/4,5
039895	troval./passiv.	40 SI-Blech DX 1-43/6,0 FX 2-60/6,0
039991	without finish	50 SI-Blech DX 1-43/7,0 FX 2-60/7,0