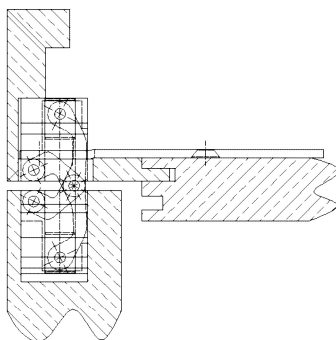


**Additional Information**

**Application:** Screwing of concealed hinge PIVOTA® DX 38 3-D into wooden frames; the plate is resized to the client's frame by means of cranks or welded on spacers; the adapted shape provides utmost stability

**Combination:** Concealed Hinge PIVOTA® DX 38 3-D

**Section Drawing**



Item	Finish	PU Remark
039151	without finish	40 SI-Blech DX 1-38/0,0
039152	without finish	40 SI-Blech DX 1-38/5,0
039281	without finish	40 SI-Blech DX 1-38/7,0
039161	without finish	40 SI-Blech DX 1-38/8,0
039242	without finish	40 SI-Blech DX 1-38/9,0
039315	zinc plated	40 SI-Blech DX 1-38/9,0