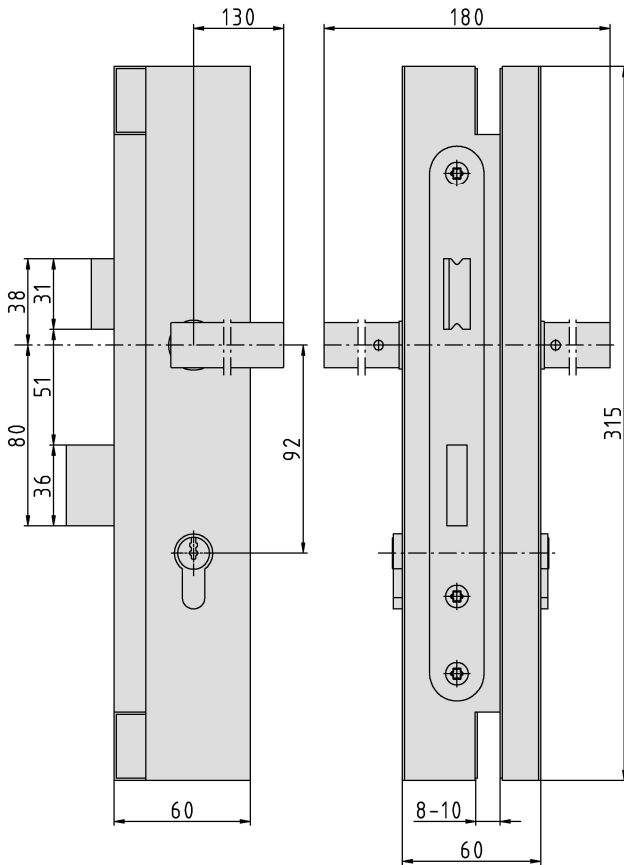


Lock case "Glass" complete, right



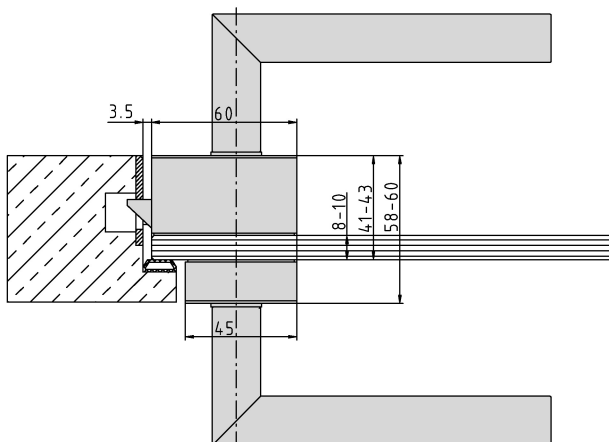
Additional Information

Application: for glass doors in non-rebated frames, suitable for 8-10 mm glass thickness (ESG)

Note: incl. fixing screws, mortise lock, profile cylinder and door handle

Combination: DX 80 3-D "Glass" retainer, DX 60/100 "Glass" retainer

Section Drawing



Item	Finish	PU Remark
040857	nach Vorgabe	2 Schlosskasten "Glass" 40/10 Links
040882	nach Vorgabe	2 Schlosskasten "Glass" 40/10 Rechts