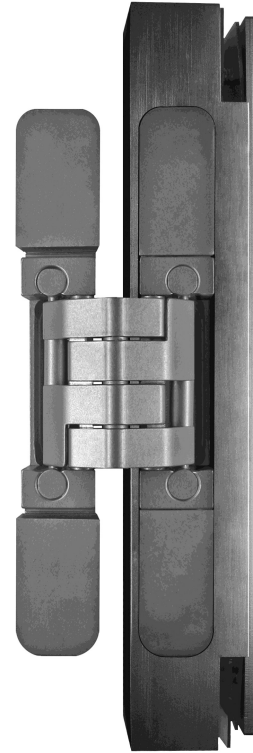
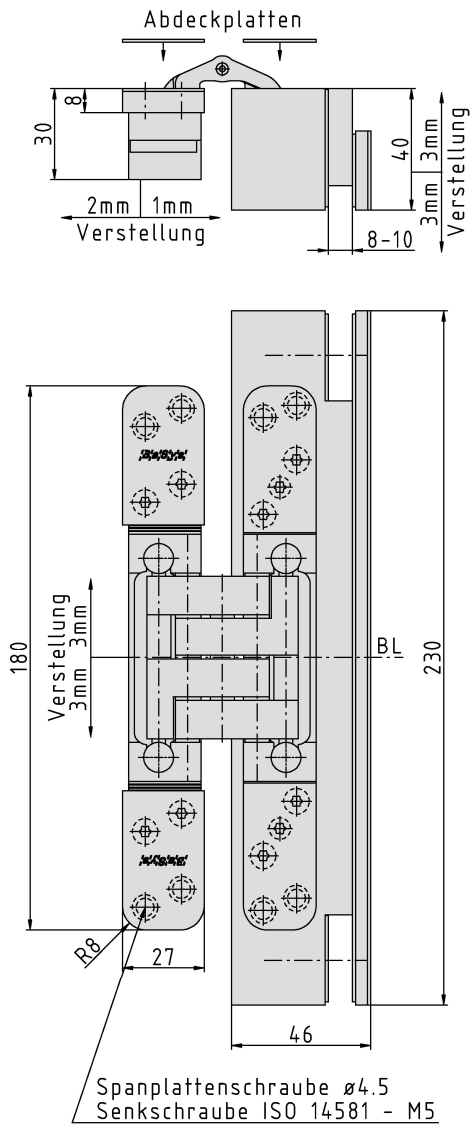


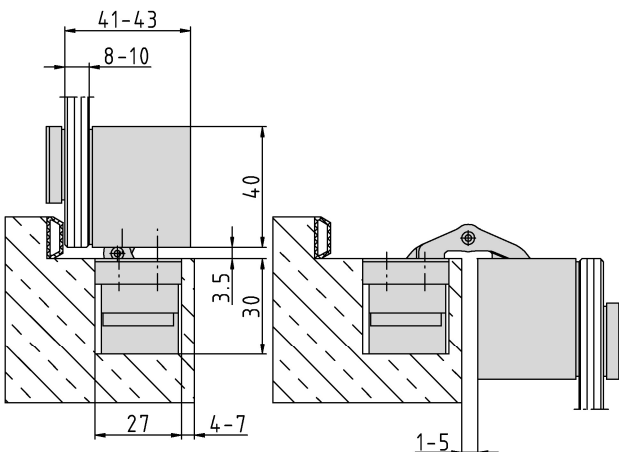
**Retainer for DX 60/100 3-D "Glass"**



**Additional Information**

Standard load: Maximum door weight 100 kg (per pair)  
 Application: Glass doors, retainer provides connection of the concealed hinge to the leaf  
 Note: incl. fixing screws  
 Combination: PIVOTA® DX 60 3-D,  
 PIVOTA® DX 100 3-D,  
 PIVOTA® DXS 100 3-D "Steel",  
 PIVOTA® DXE 100 3-D "Enox"

**Section Drawing**



Item	Finish	PU
040856	nach Vorgabe	1
040974	nach Vorgabe	1