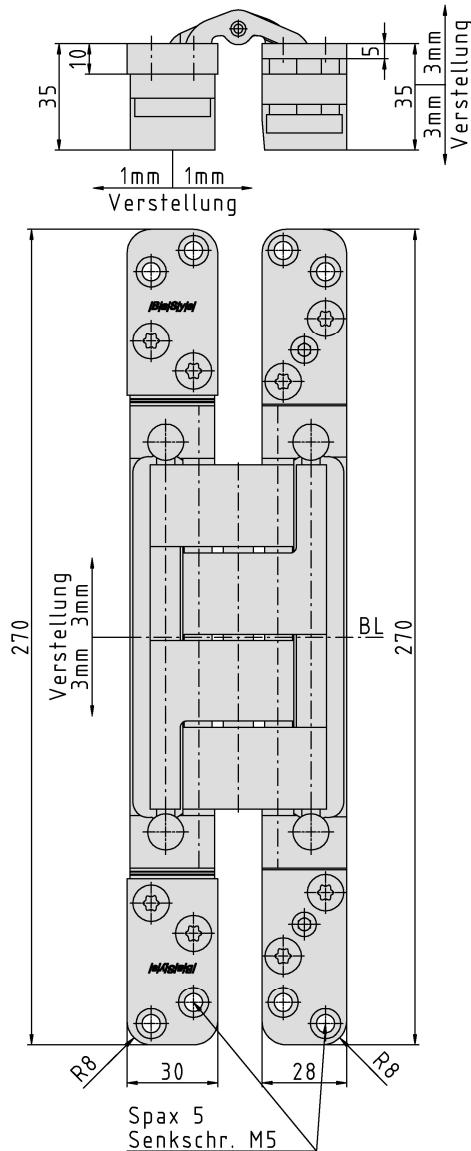


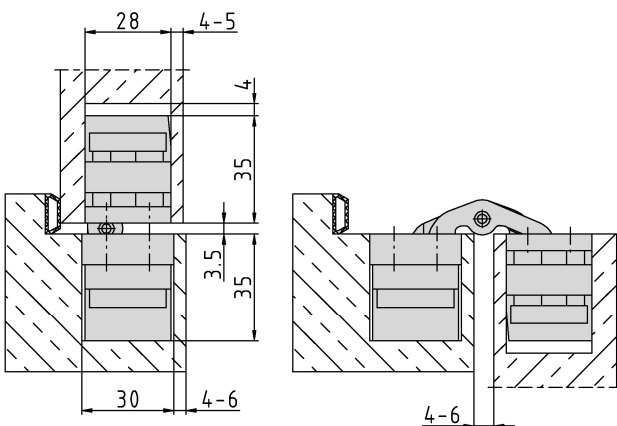
**PIVOTA® DXS 300 3-D "Steel"**



**Additional Information**

- Standard load: Maximum door weight 350 kg (per pair)  
 Application: Concealed hinge for non-rebated doors, hinge leaves are mortised into frame and door; 3-dimensional adjustability, maintenance-free bearings; suitable for fire resistant doors; solid steel joints for high stress  
 Accessories: PIVOTA® DX safety plate for frame part, retainer for casing or steel frames

**Section Drawing**



Certified according to



Item	Finish	PU
040138	satin nickel plated	1
040583	Alu Look F1	1
040942	simulated SS	1