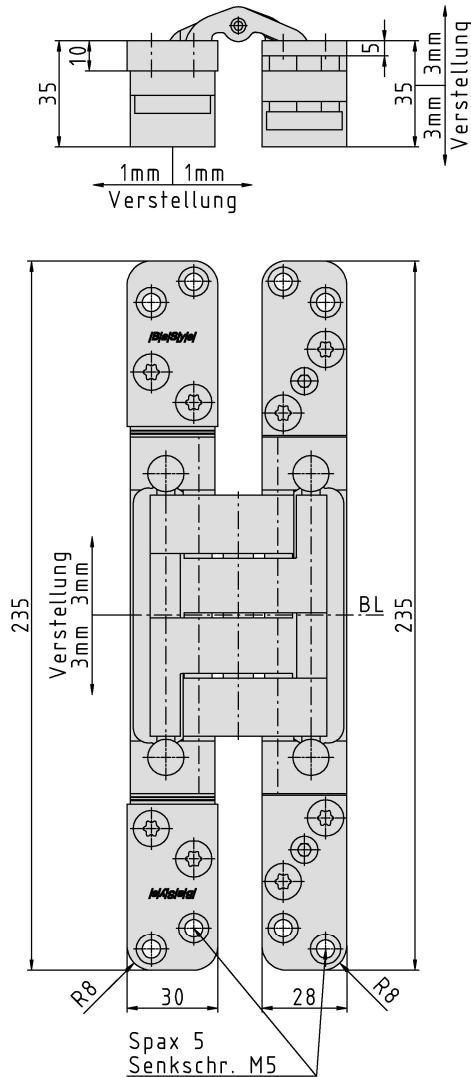


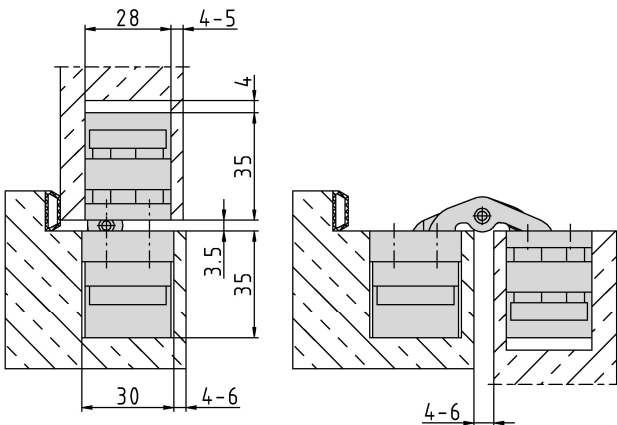
**PIVOTA® DXA 200 3-D "Alu"**



**Additional Information**

- Standard load: Maximum door weight 180 kg (per pair)  
 Application: Concealed hinge for non-rebated doors, hinge leaves are mortised into frame and door; 3-dimensional adjustability, maintenance-free bearings  
 Accessories: PIVOTA® DX safety plate for frame part, retainer for casing or steel frames  
 Note: also available in "Design"-option

**Section Drawing**



Certified according to



Item	Finish	PU
039871	satin nickel plated	1
039928	Alu Look F1	1
040751	simulated SS	1