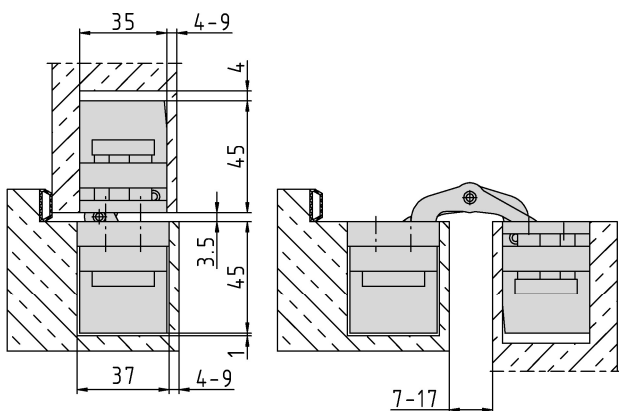


Additional Information

Standard load: Maximum door weight 200 kg (per pair)
 Application: Concealed hinge for non-rebated doors, hinge leaves are mortised into frame and door; 3-dimensional adjustability, maintenance-free bearings; suitable for claddings
 Accessories: PIVOTA® DX safety plate for frame part, retainer for casing or steel frames

Section Drawing



Certified according to



Item	Finish	PU
037979	satin nickel plated	1
039253	Alu Look F1	1
040588	simulated SS	1