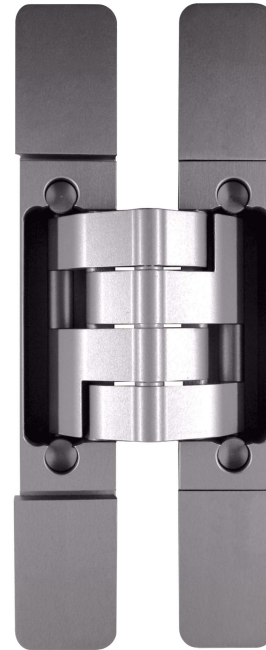
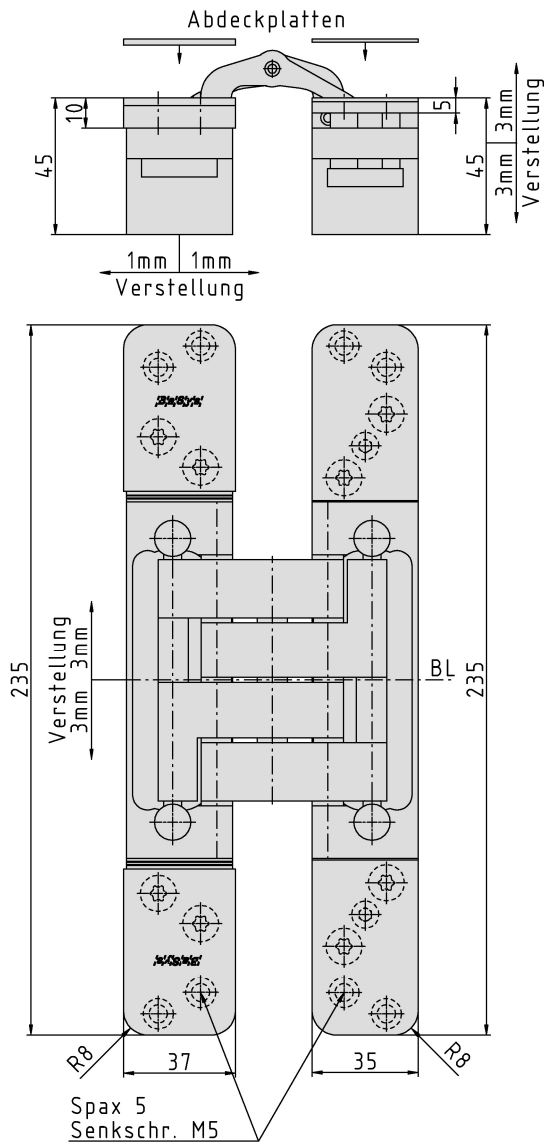


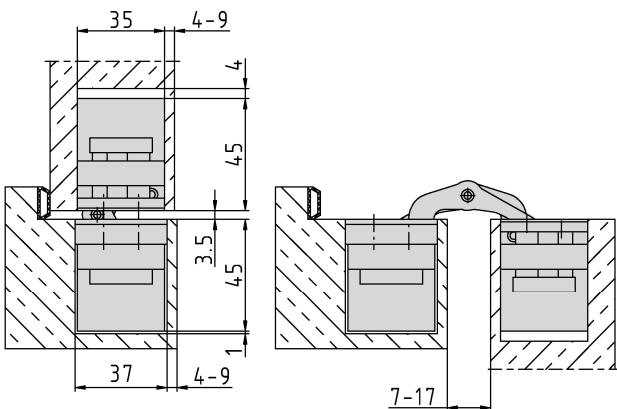
PIVOTA® DX 120 3-D "Design"



Additional Information

- Standard load:** Maximum door weight 160 kg (per pair)
Application: Concealed hinge for non-rebated doors, hinge leaves are mortised into frame and door; 3-dimensional adjustability, maintenance-free bearings; suitable for claddings; magnetically fixed cover plates for optics free-of-screws
Accessories: PIVOTA® DX safety plate for frame part, retainer for casing or steel frames

Section Drawing



Certified according to



Item	Finish	PU
039735	satin nickel plater	1
040606	simulated SS	1
040945	Alu Look F1	1
S19020	RAL 9005 matt	1