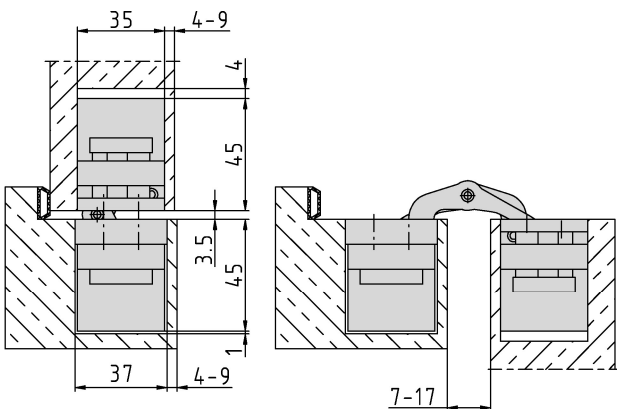


**Additional Information**

Standard load: Maximum door weight 160 kg (per pair)  
 Application: Concealed hinge for non-rebated doors, hinge leaves are mortised into frame and door; 3-dimensional adjustability, maintenance-free bearings; suitable for claddings  
 Accessories: PIVOTA® DX safety plate for frame part, retainer for casing or steel frames

**Section Drawing**



Certified according to



Item	Finish	PU
039070	satin nickel platec	1
039238	Alu Look F1	1
040589	simulated SS	1