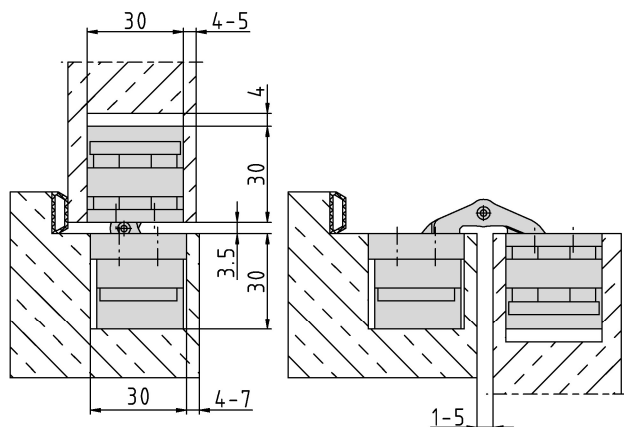


Section Drawing



Additional Information

- Standard load: Maximum door weight 120 kg (per pair)
- Application: Concealed hinge for non-rebated doors, hinge leaves are mortised into frame and door; 3-dimensional adjustability, maintenance-free bearings; suitable for fire resistant doors; option: burglary protection (RC2)
- Accessories: PIVOTA® DX safety plate for frame part, retainer for casing or steel frames
- Note: incl. fixing screws

Certified according to



Item	Finish	PU
037916	satin nickel plated	2
039588	Alu Look F1	2