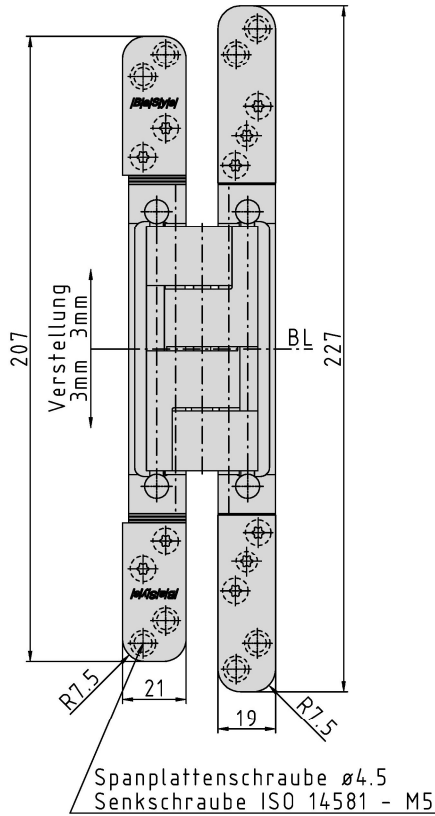
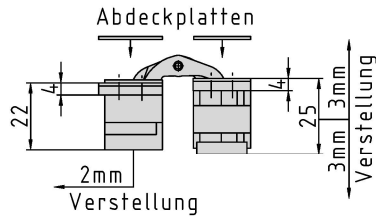


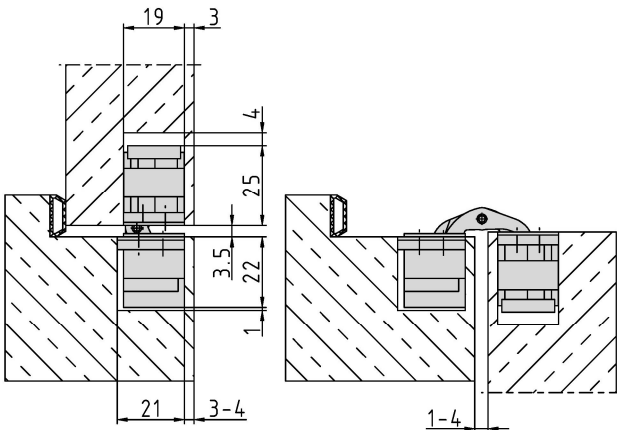
PIVOTA® DX 78 3-D "Design"



Additional Information

- Standard load: Maximum door weight 80 kg (per pair)
 Application: Concealed hinge for non-rebated doors, hinge leaves are mortised into frame and door; 3-dimensional adjustability, maintenance-free bearings; magnetically fixed cover plates for optics free-of-screws
 Accessories: PIVOTA® DX safety plate for frame part, retainer for casing or steel frames
 Note: incl. fixing screws

Section Drawing



Item	Finish	PU
041091	satin nickel plated	2
041236	RAL 9005 matt	2