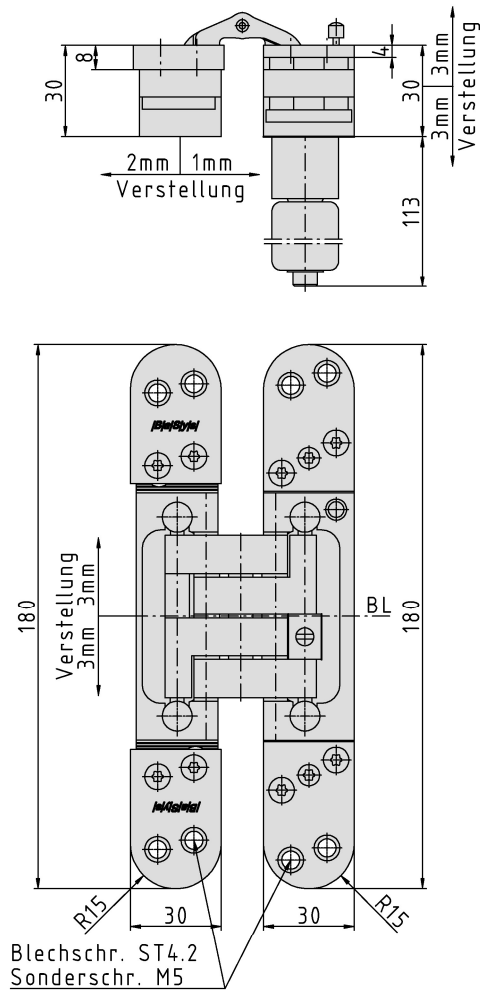
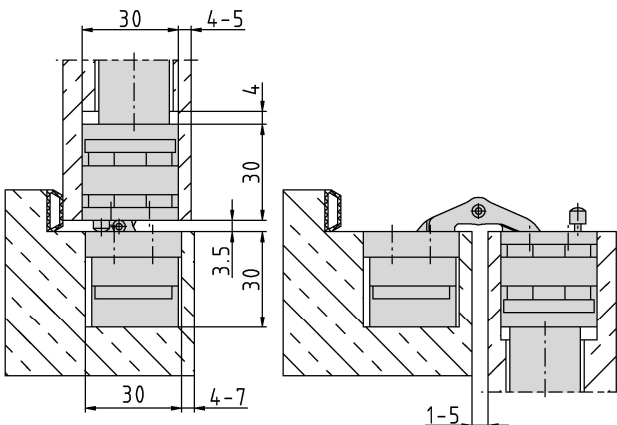


**PIVOTA® DXS 61 3-D "Close"**



**Section Drawing**



**Additional Information**

- Standard load:** Maximum door weight 80 kg (per pair)  
**Application:** Concealed hinge for non-rebated doors, hinge leaves are mortised into frame and door; 3-dimensional adjustability, maintenance-free bearings; hinge is equipped with a concealed self-closing mechanism  
**Accessories:** PIVOTA® DX safety plate for frame part, retainer for casing or steel frames  
**Note:** incl. fixing screws

Item	Finish	PU
040806	satin nickel plated	1
040807	Alu Look F1	1
040808	simulated SS	1