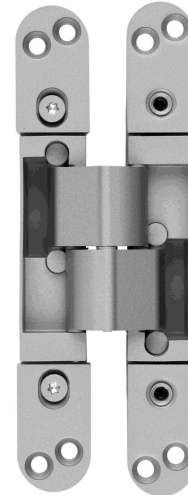


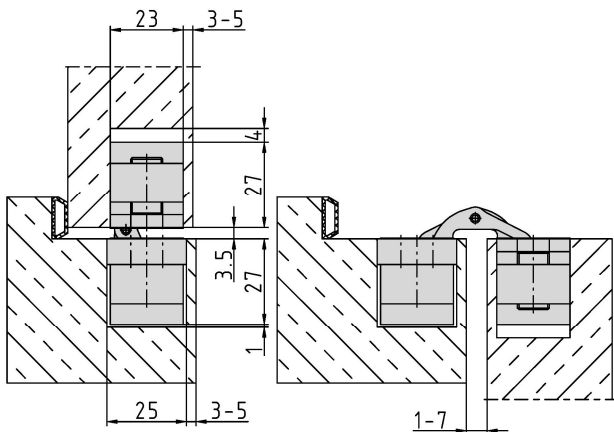
Spanplattensch.  $\varnothing 4.5$   
Senkschr. ISO 14581-M5



**Additional Information**

Standard load: Maximum door weight 40 kg (per pair)  
 Application: Concealed hinge for non-rebated doors, hinge leaves are mortised into frame and door; 3-dimensional adjustability, maintenance-free bearings  
 Accessories: PIVOTA® DX safety plate for frame part  
 Note: incl. fixing screws

**Section Drawing**



Item	Finish	PU
041112	satin nickel plated	2