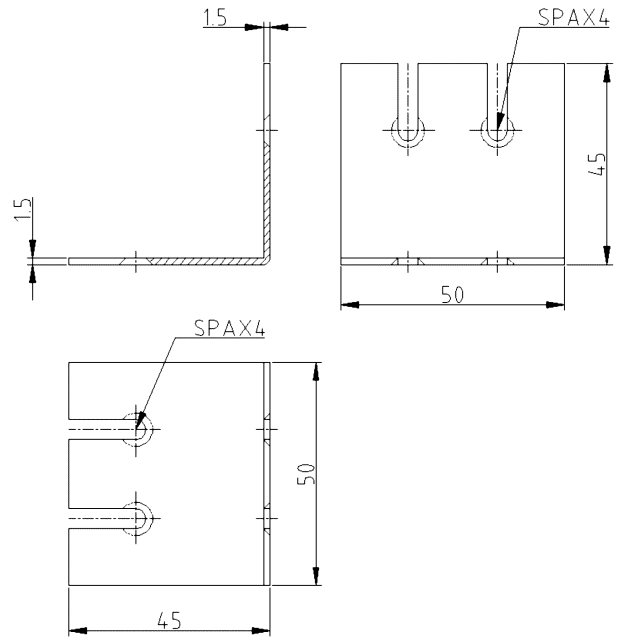


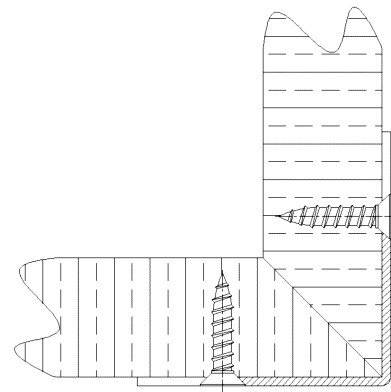
## Reinforcement Bracket for Corner Joint



### Additional Information

Application: Wooden frames, for additional stabilization during connection of wide frames

### Section Drawing



Item	Finish	PU
044494	zinc plated	200