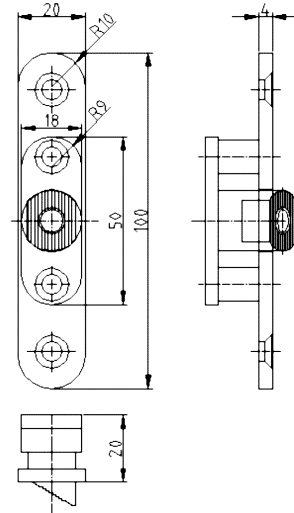
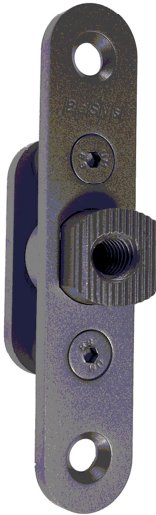


Adjustable door part safety device

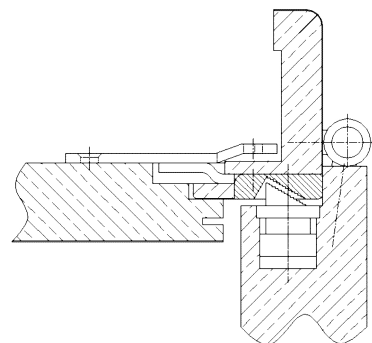


Additional Information

Application: all doors; to be recessed in the door leaf, prevents lifting of the leaf when door is closed; device is adjustable and can be adopted to the side gap

Accessory: Frame part safety device, refer to chapter 3

Section Drawing



Item	Finish	PU
037555	sterling silver	50
040263	new silver	50