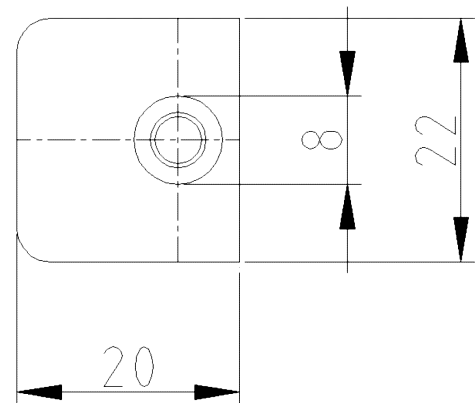
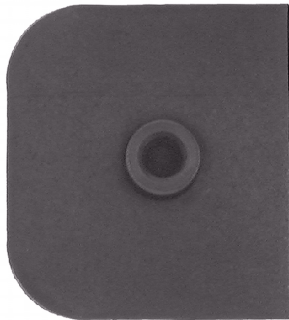


Side Gap Limiter

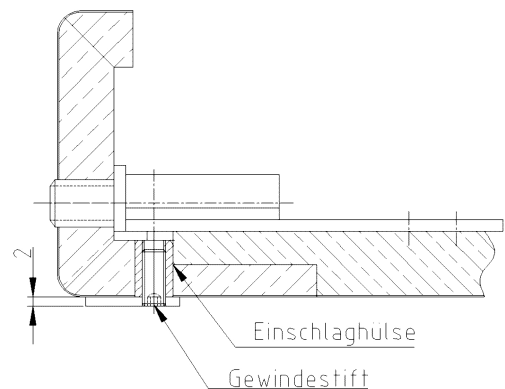


Additional Information

Application: Wooden frames, for insertion into the cross hole for the receiver; secures the side gap on the hinge side (e.g. for RC2 or RC3 doors); adjustment to the respective side gap by means of setscrew

Note: Available for different drill-diameter, the drawing shows $d=8.0$ mm

Section Drawing



Item	Finish	PU Remark
036539	nickel plated	300 Falzluftbegrenzer (Klemmloch D7.0)
022873	nickel plated	300 Falzluftbegrenzer (Klemmloch D8.0)