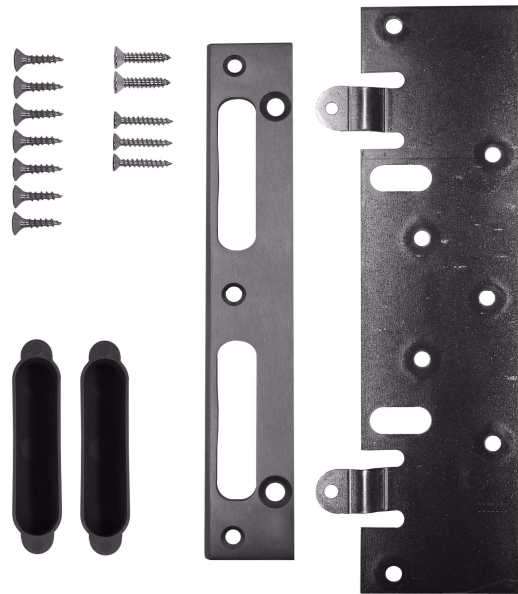
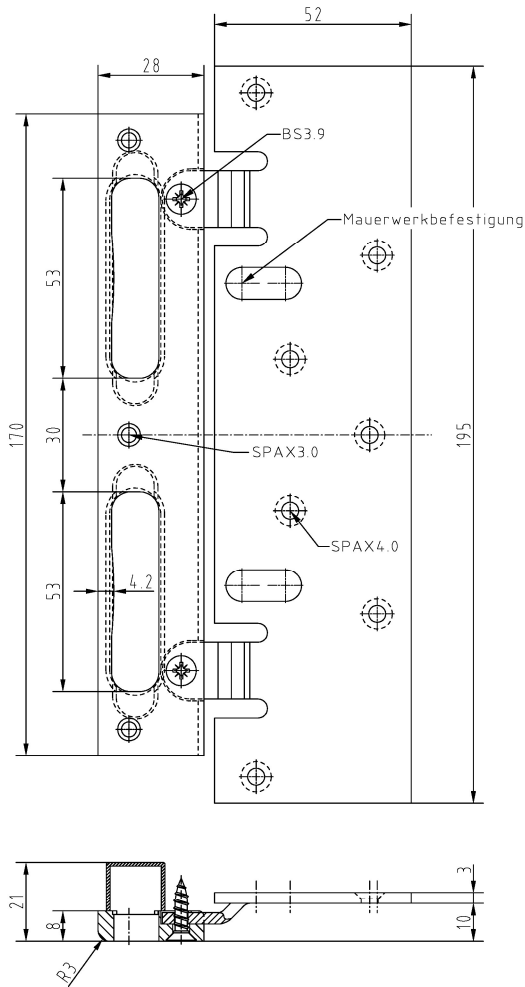


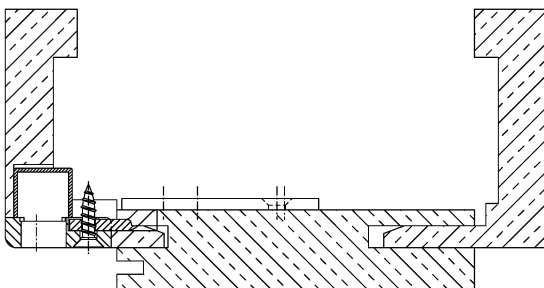
Retrofit Set 2 Locking Plate 28x170



Additional Information

Standard load: Maximum door weight 150 kg
Application: Retrofit set for rebated doors/face frames, has to be recessed, made of solid steel, suitable for all DIN locks, applicable to cut-outs for 170mm 2-hole striking plates of System5; including safety plate, plastic lining and screws

Section Drawing



Item	Finish	PU
040033	silver color	1