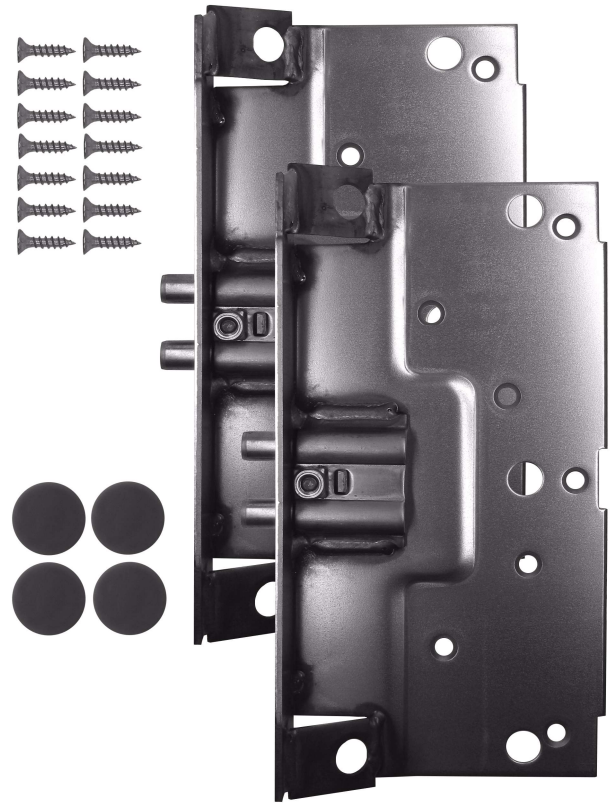
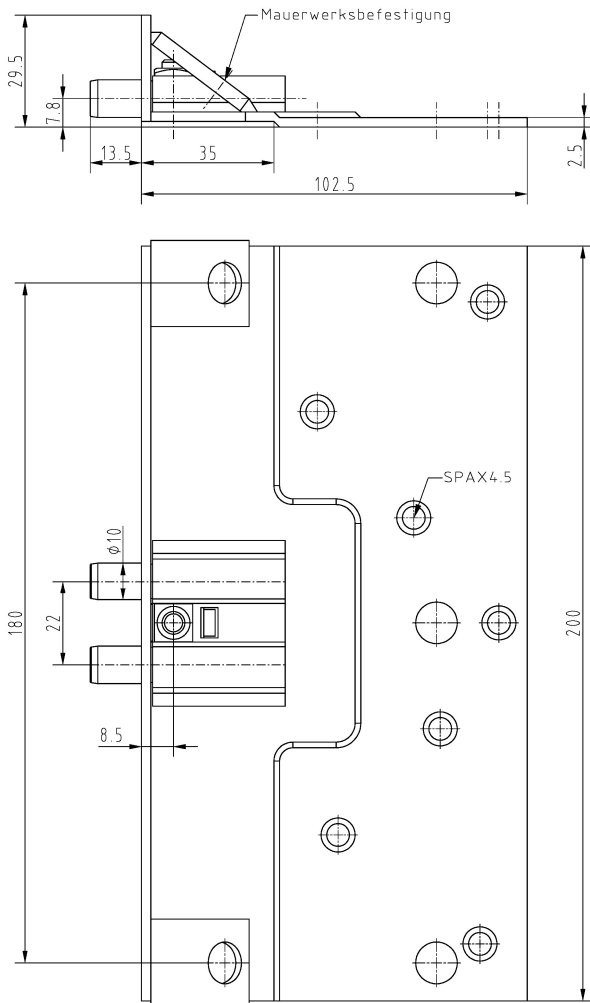


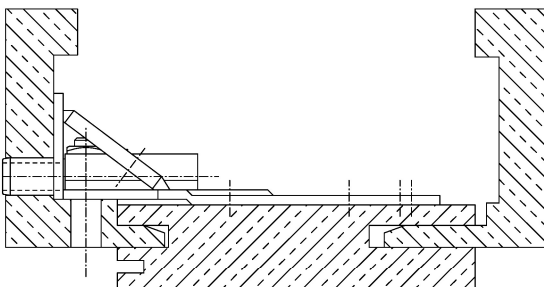
Retrofit Set BAB with plugs



Additional Information

Standard load: Maximum door weight 90 kg (per pair)
Application: Retrofit set for heavy receiver in wooden case frames, prepared for attachment to the wall; available as a set with 2 receivers, screws, plugs and a drilling template are included.
Accessories: COMBICA® frame parts 1534, 1544, 2641, 2941

Section Drawing



Item	Finish	PU
037712	zinc plated	1