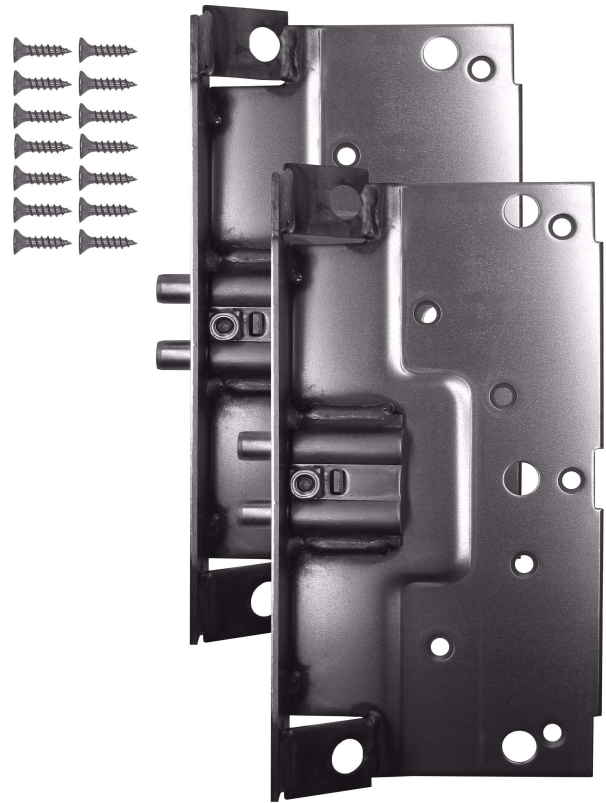
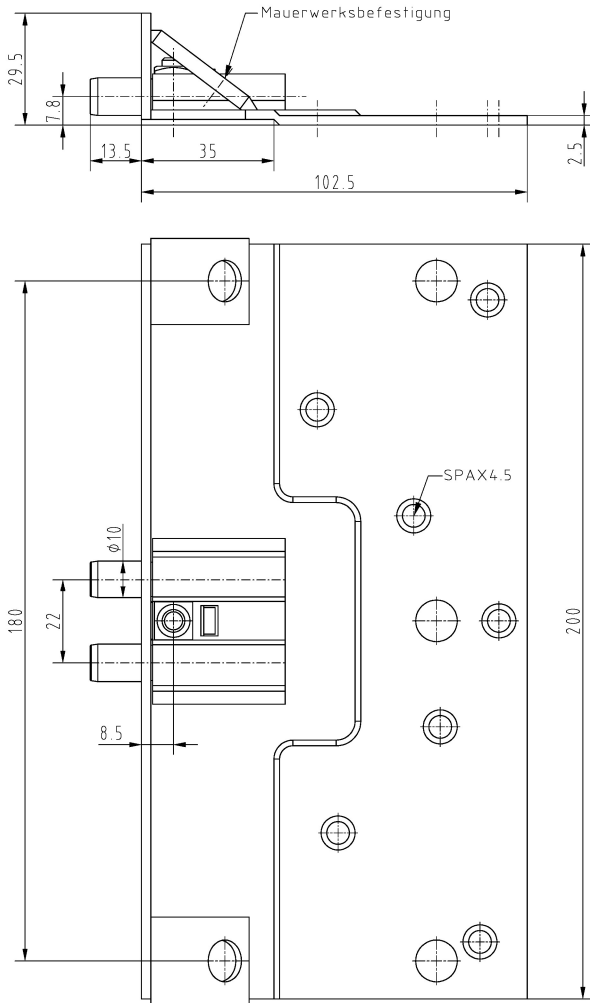


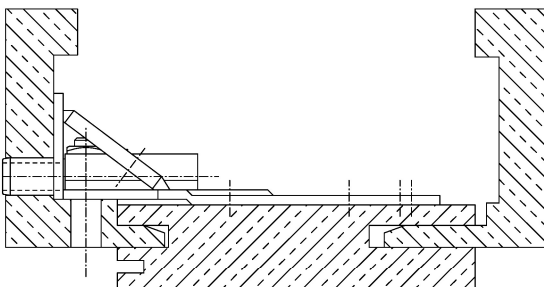
Retrofit Set BAB



Additional Information

Standard load: Maximum door weight 90 kg (per pair)
 Application: Retrofit set for heavy receiver in wooden case frames in stable masonry connection; available as a set with 2 receivers, screws and a drilling template are included.
 Accessories: COMBICA® frame parts 1534, 1544, 2641, 2941

Section Drawing



Item	Finish	PU
037622	zinc plated	1