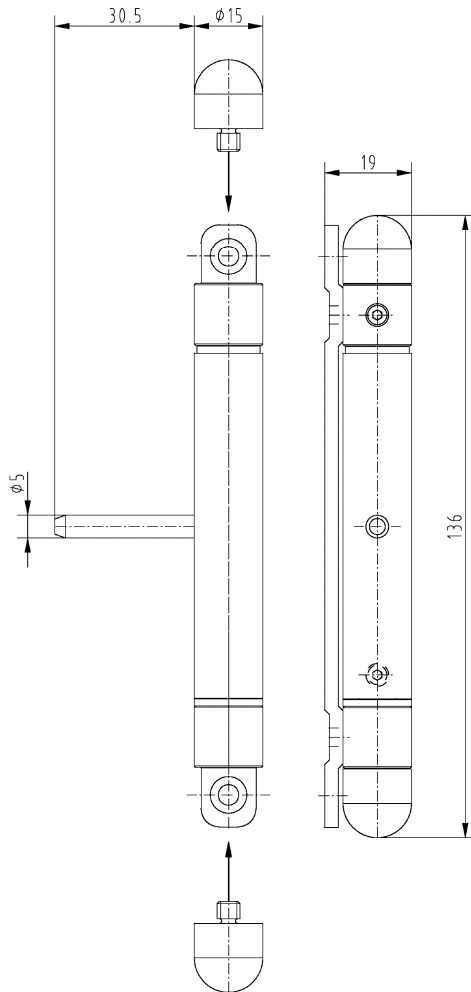


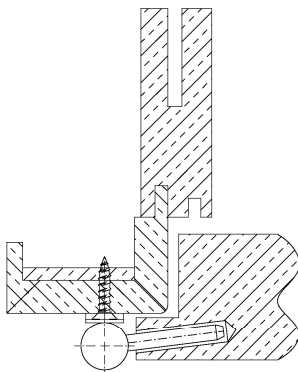
Retrofit Spring Hinge DH21



Additional Information

- Standard load:** Maximum door weight 30 kg (per pair)
Application: Retrofit spring hinge for rebated doors; adjustable spring allows automatic door movement; available as a set with all necessary accessories
Accessories: 2 and 3 part COMBICA® hinges with 15 mm barrel diameter, which are already installed at the door

Section Drawing



Item	Finish	PU
039138	nickel plated	20
039139	white coated	50