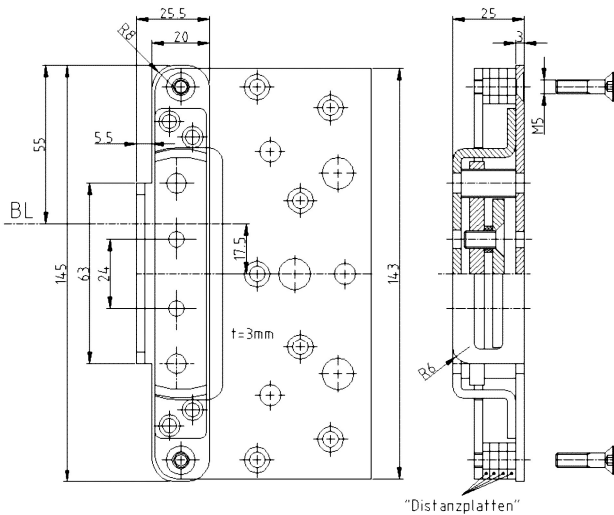


Receiver STV56/24 3-D



Additional Information

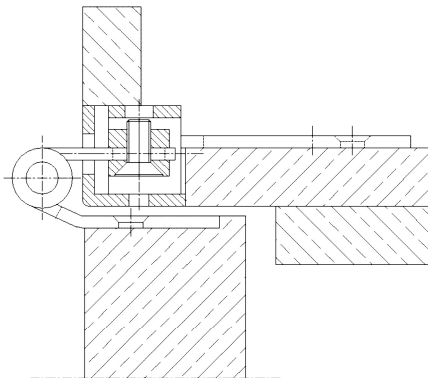
Standard load: Maximum door weight 80 kg (per pair)

Application: Wood frames, closed frames, 3-dimensionally adjustable. Suitable for fire doors. Delivery: completely assembled.

Adjustability: Minimum 3 mm in all directions

Combination: COMBICA® frame part 2687

Section Drawing



Item	Finish	PU
022384	nickel plated	30
022386	enox brushed	30
037408	white coated	30
039129	satın chrome plat	30