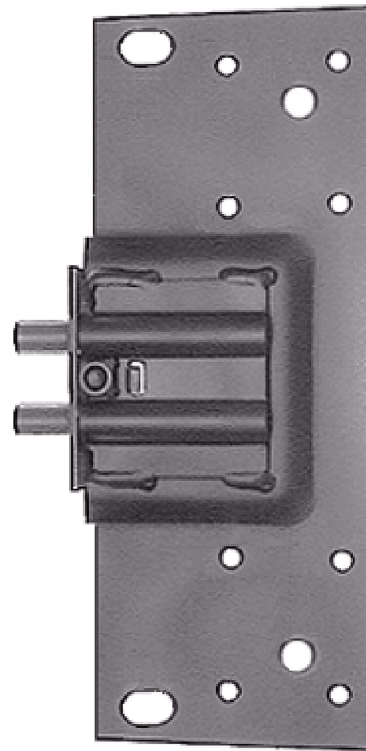
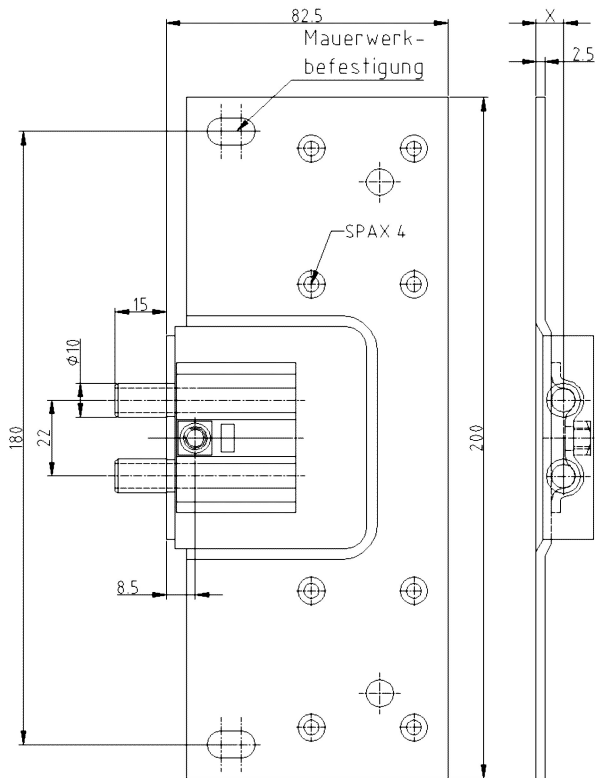


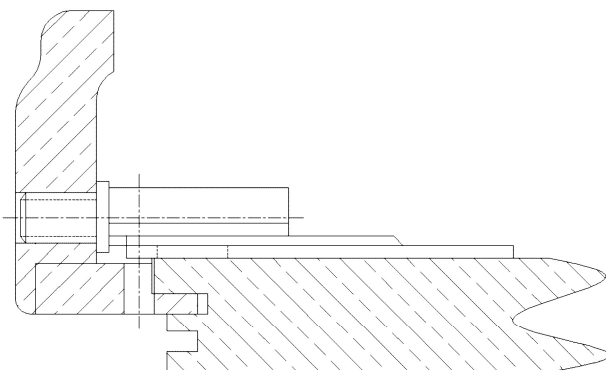
Steel Receiver ST85



Additional Information

Standard load: Maximum door weight 80 kg (per pair)
Application: Wood frames, closed frames also available in 9.5mm, 11mm and 12.5 mm mounting height ("X")
Combination: COMBICA® frame parts 1534, 1544, 2641, 2941

Section Drawing



Item	Finish	PU Bemerkung
022663	zinc plated	30 Stahltasche ST85/8,0