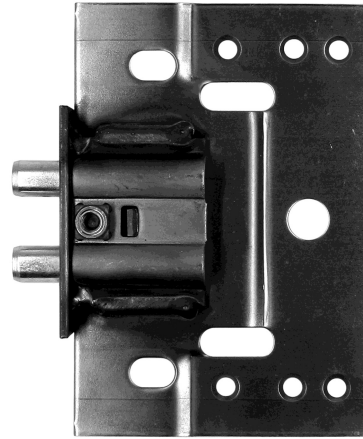
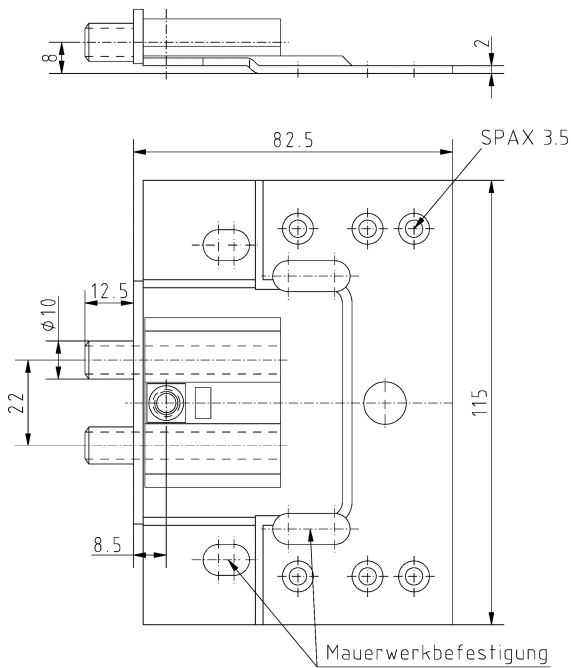


**Steel Receiver ST84**



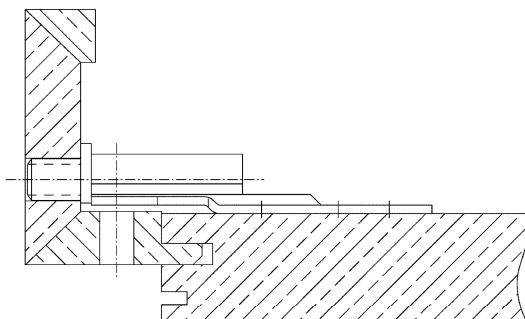
**Additional Information**

Standard load: Maximum door weight 60 kg (per pair), if using two receivers per hinge up to 110 kg.

Application: Wood frames, closed frames, other mounting heights on request.

Combination: COMBICA® frame parts 1534, 1544, 2641, 2941. Suitable for heavy duty hinge OBJECTA® 2839 MF.

**Section Drawing**



Item	Finish	PU Bemerkung
037900	without finish	50 Stahltasche ST84/8,0