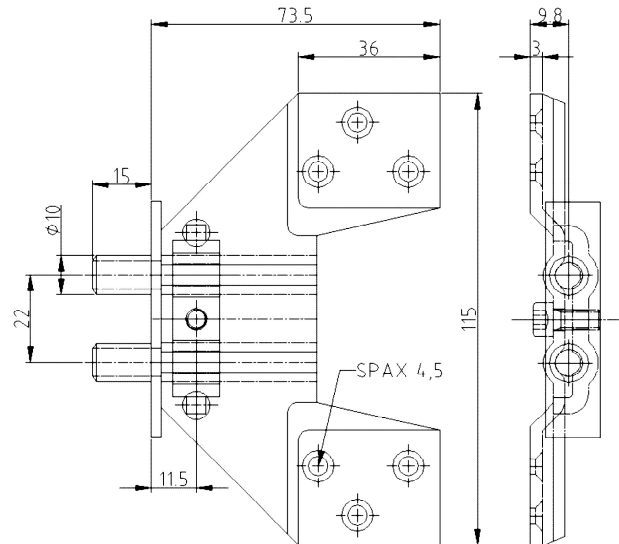
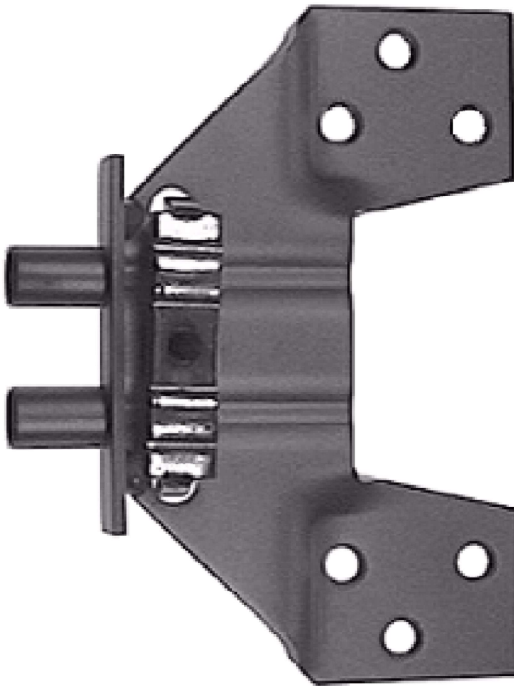


## Steel Receiver ST80



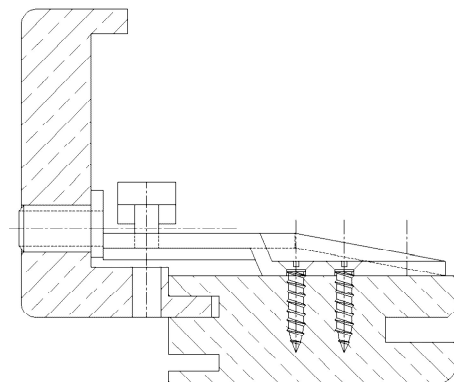
### Additional Information

Standard load: Maximum door weight 80 kg (per pair),  
if using 2 receivers per hinge up to  
150 kg

Application: Wood frames, closed frames

Combination: COMBICA® frame parts 1534, 1544,  
2641, 2941. Particularly suitable in  
combination with the heavy duty  
hinge 2839.

### Section drawing



item no.	Finish	PU
022562	zinc plated	60