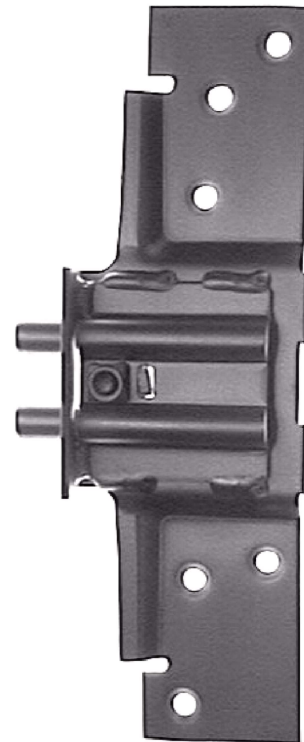
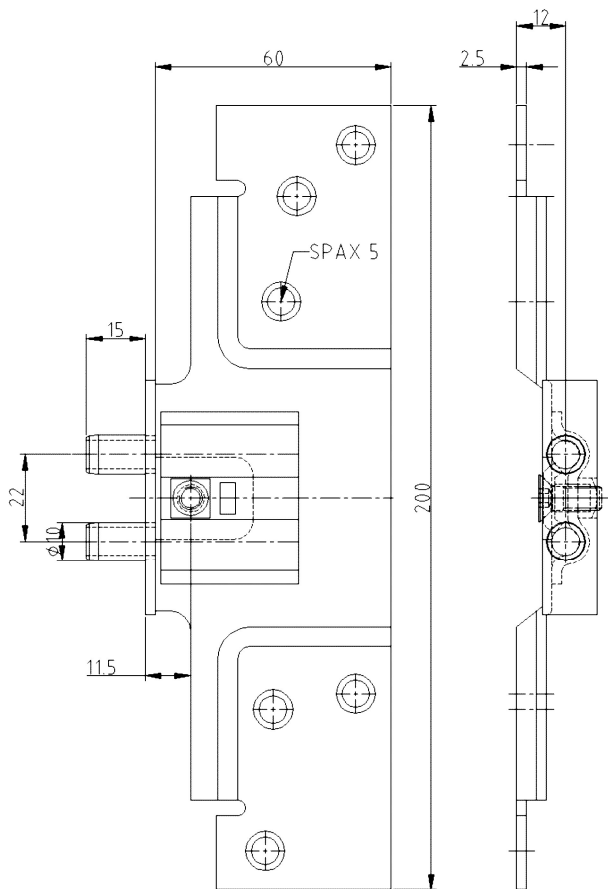


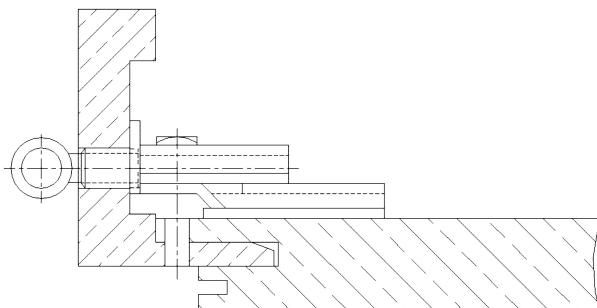
**Steel Receiver ST54**



**Additional Information**

Standard load: Maximum door weight 80 kg (per pair)  
 Application: Wood frames, closed frames, stabilizing front plate, guide sleeves  
 Combination: COMBICA® frame parts 1534, 1544, 2641, 2941

**Section Drawing**



Item	Finish	PU Bemerkung
022315	ZN blau	30 Stahltasche ST54/12,0