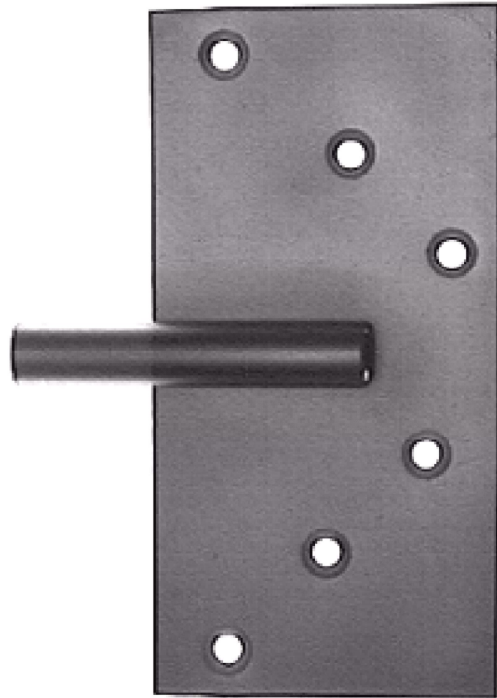
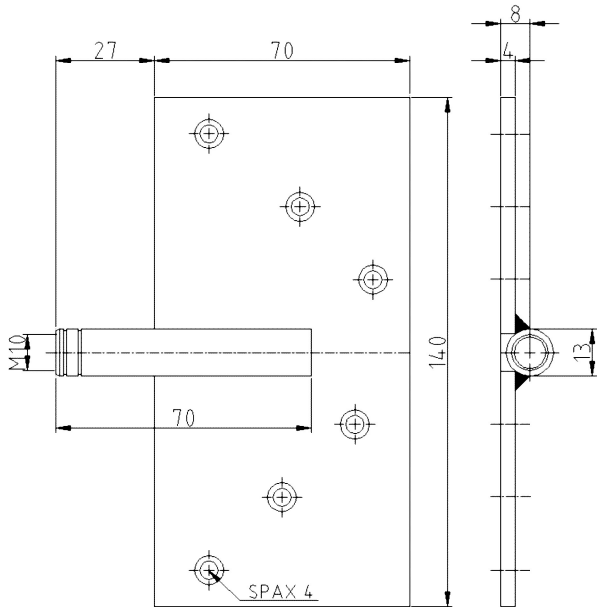


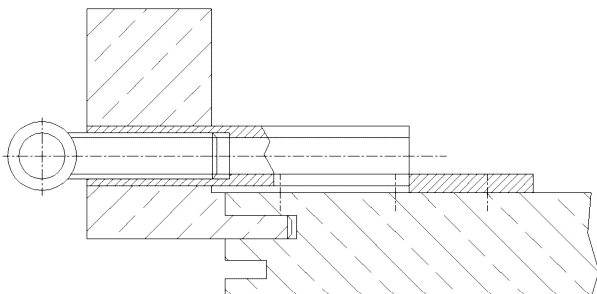
Steel Receiver ST40



Additional Information

Standard load: Maximum door weight 90 kg (per pair)
Application: Wood frames, closed frames
Combination: COMBICA® frame parts 1545, 2650, renovation hinge D15

Section Drawing



Item	Finish	PU Bemerkung
044845	ZN blau	50 Stahltasche ST40/8,0