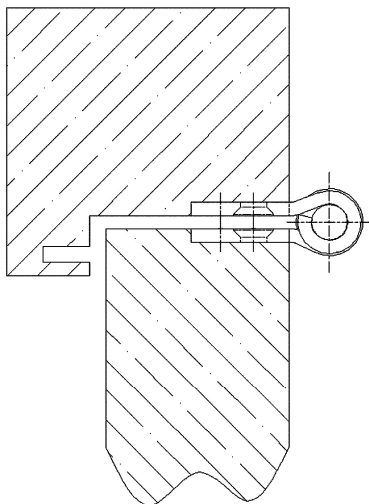


**Additional Information**

Standard load: Maximum door weight 70 kg (per pair)  
 Application: Hinge for non-rebated doors set into block frames or face frames; maintenance-free, with fixing screw, detachable when mounted  
 Receiver: none

**Section Drawing**



Certified according to



Item	Finish	PU
039194	nickel plated	50
039462	enox brushed	50
041166	RAL 9005 matt	50