

Additional Information

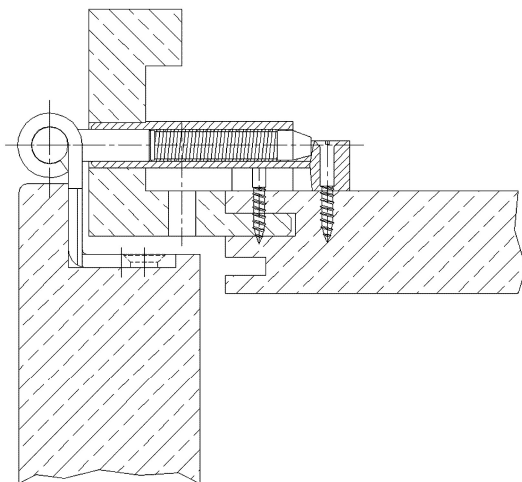
Standard load: Maximum door weight 80 kg (per pair)

Application: Rebated doors, has to be recessed, complete hinge maintenance-free.

Receiver: All COMBICA® receiver types from chapter 06, except ST40, ST42; PL or ST receivers depending on the load.

Note: Also available as CS hinge for continuous seal.

Section Drawing



Certified according to



Item	Finish	PU
036540	vernickelt	40
037128	white coated	40
037130	gold plated	40
037131	satin nickel platec	40
037132	chrome plated	40
037133	satin chrome plat	40
037134	enox brushed	40
037569	zinc plated	40