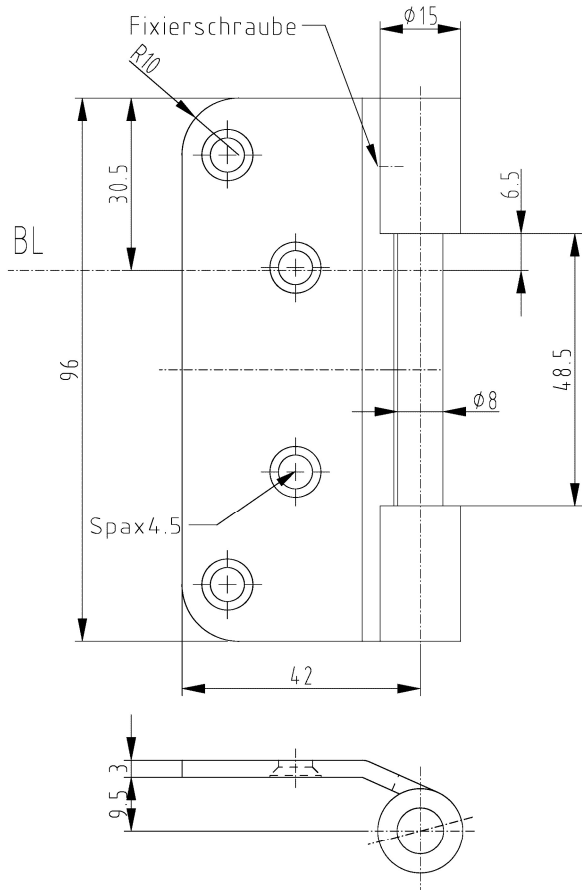


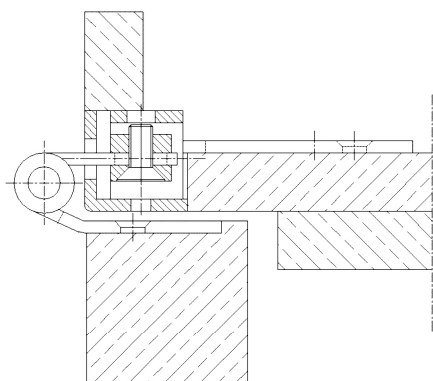
Combi Hinge 2656 MF Door Part complete



Additional Information

Standard load: Maximum door weight 70 kg (per pair)
Application: Non-rebated doors, with fixing screw, has to be recessed into the door
Combination: COMBICA ® frame parts 2641, 2650, 2687, 2941

Section Drawing



Certified according to



Item	Finish	PU
022453	vernickelt	50
022473	enox brushed	50
022816	white coated	50
036570	vergoldet	50
037288	satın nickel platec	50
037289	chrome plated	50
037290	satın chrome plat	50