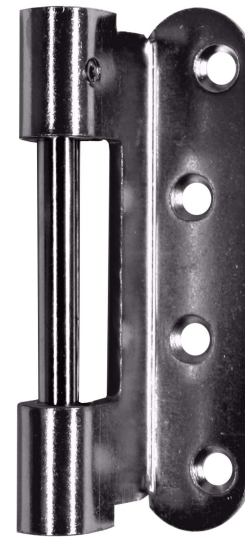
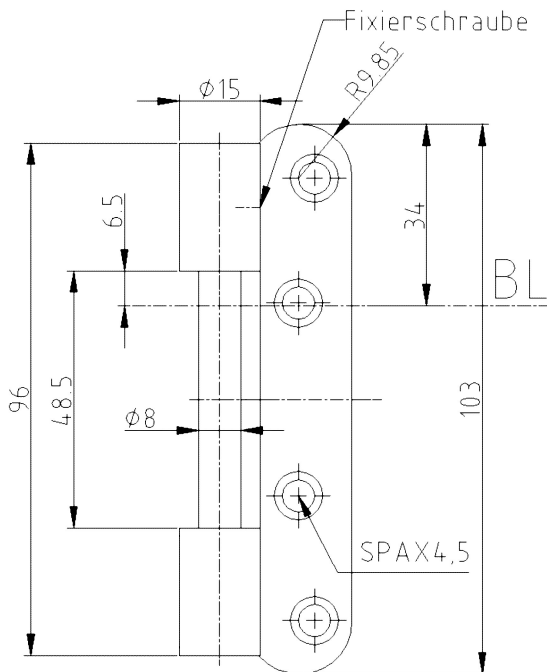


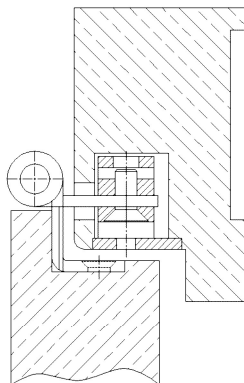
**COMBICA® 2667 MF Door Part complete**



**Additional Information**

Standard load: Maximum door weight 80 kg (per pair)  
 Application: Rebated doors with fixing screw, has to be recessed into the door  
 Combination: COMBICA® frame parts 2641, 2650, 2680, 2681, 2682, 2687, 2941

**Section Drawing**



Certified according to



Item	Finish	PU
022455	vernickelt	50
022468	enox brushed	50