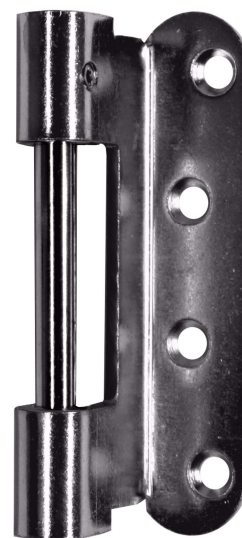
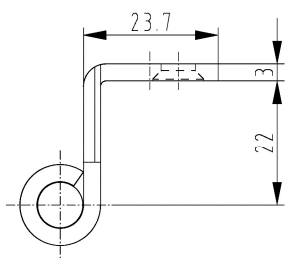
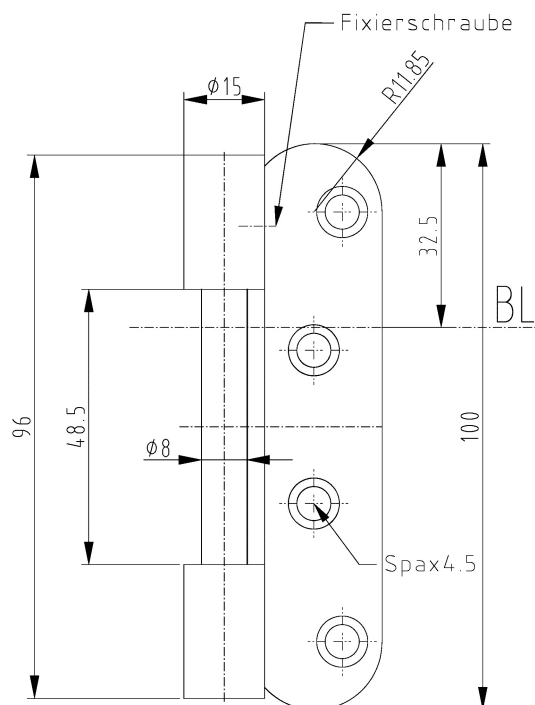


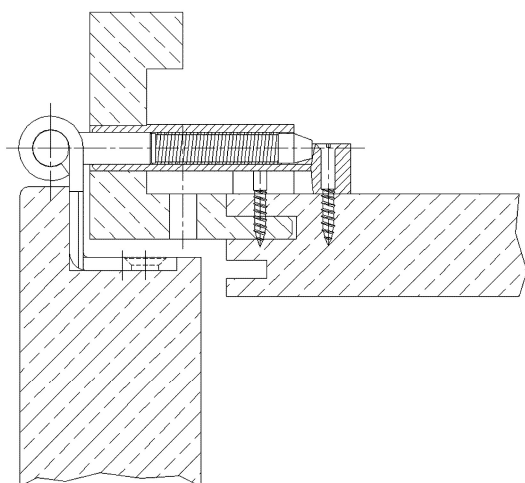
COMBICA® 2647 MF Door Part complete



Additional Information

Standard load: Maximum door weight 80 kg (per pair)
Application: Rebated doors with fixing screw, has to be recessed into the door
Combination: COMBICA® frame parts 2641, 2650, 2680, 2681, 2682, 2687, 2941

Section Drawing



Certified according to



Item	Finish	PU
022434	vernickelt	50
022475	enox brushed	50
022653	white coated	50
022715	satin nickel platec	50
037255	gold plated	50
037256	chrome plated	50
037257	satin chrome plat	50