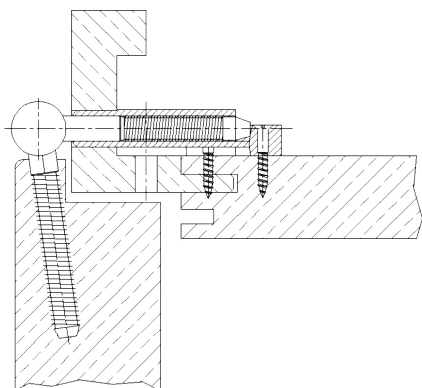


Additional Information

Standard load: Maximum door weight 80 kg (per pair)
 Application: Rebated doors, wood frame, maintenance-free
 Combination: COMBICA ® complete hinge
 Receiver: All receiver types from chapter 06 except ST40, ST42

Section Drawing



Certified according to



Item	Finish	PU
022088	vernickelt	40
037330	white coated	40
037332	gold plated	40
037333	satin nickel platec	40
037334	chrome plated	40
037335	satin chrome plat	40
037336	enox brushed	40