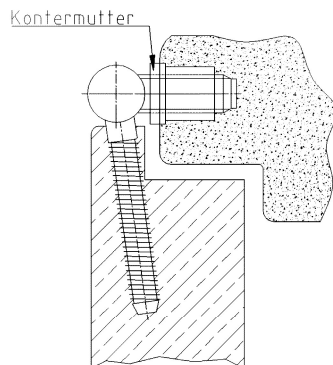


**Additional Information**

Standard load: Maximum door weight 70 kg (per pair)  
 Application: Solid frame with cast-in mounting nut M10 or corresponding steel frame, maintenance-free.  
 Combination: COMBICA® door parts 2637, 2641, 2647, 2655, 2656, 2941  
 Receiver: Clinch nut M10 or steel receiver types ST40, ST42.

**Section Drawing**



Certified according to



Item	Finish	PU
022440	nickel plated	150
037268	weiß besch.	150
037270	gold plated	150
037271	satın nickel platec	150
037272	chrome plated	150
037273	satın chrome plat	150
037274	enox brushed	150