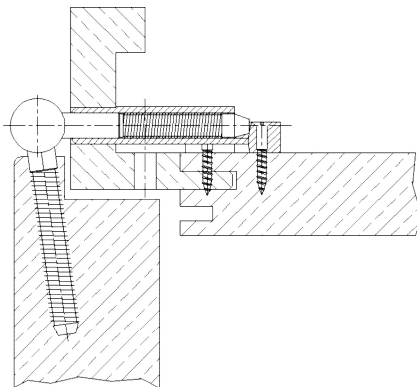


Additional Information

Standard load: Maximum door weight 70 kg (per pair)
 Application: Wood frames, shorter set screws, maintenance-free
 Combination: COMBICA ® door parts 2637, 2641, 2647, 2655, 2656, 2941
 Receiver: All receiver types from chapter 06 except ST40, ST42, ST44

Section Drawing



Certified according to



| Item | Finish | PU |
|--------|---------------------|-----|
| 022012 | Niro gebürstet | 100 |
| 022717 | satin nickel plater | 100 |
| 037316 | chrome plated | 100 |
| 037317 | satin chrome plat | 100 |
| 044755 | vernickelt | 100 |
| 044840 | weiß besch. | 100 |
| 044901 | vergoldet | 100 |