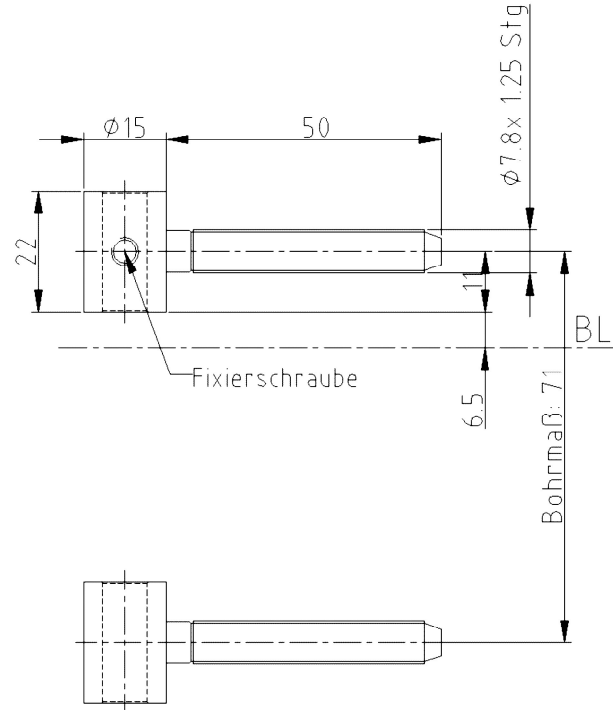


COMBICA® 2641 MF Door Part w.Fix.



Additional Information

- Standard load: Maximum door weight 70 kg (per pair)
 Application: Door part with fix. for rebated doors, fixing screws provide burglary protection; 1 piece consists of 2 parts
 Combination: COMBICA® frame parts 2641, 2650, 2680, 2681, 2682, 2687, 2941

Section drawing

Certified according to



item no.	Finish	PU
022326	nickel plated	100
022583	gold plated	100
022638	enox brushed	100
022649	white powder coated	100
037138	satin nickel plated	100
037139	chrome plated	100
037140	satin chrome plated	100
040658	zinc plated	100

