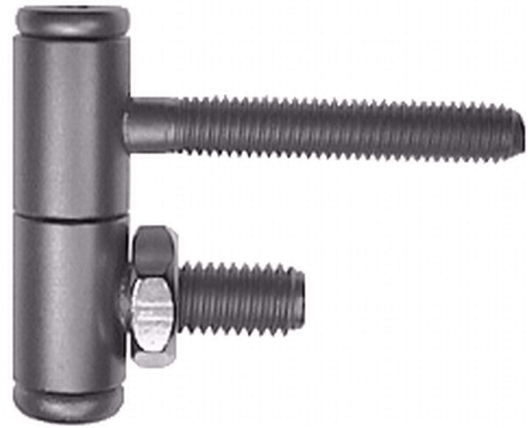
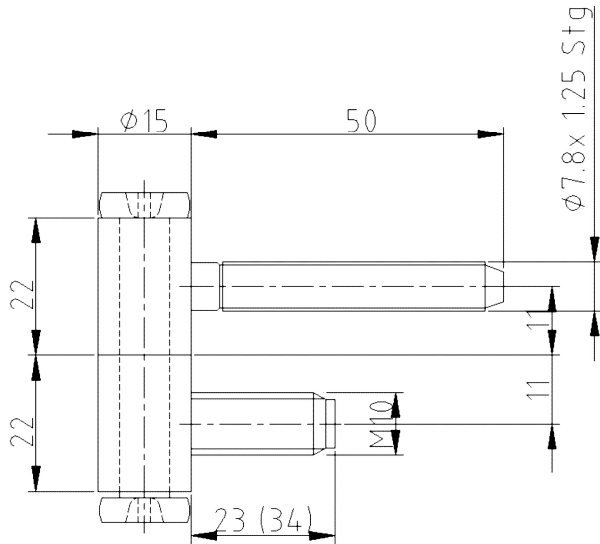


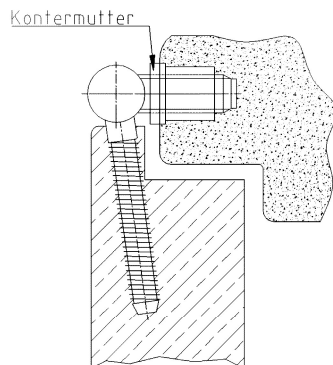
COMBICA® Renovation Hinge D15



Additional Information

Standard load: Maximum door weight 30 kg (per pair)
 Application: Renovation hinge for solid frames with mounting nut, wood frames
 Combination: COMBICA® door part and head 2641
 Receiver: Mounting nut M10, ST40, ST42

Section Drawing



Item	Finish	PU Bemerkung
044746	vernickelt	100 Flachmutter M 10
037409	vernickelt	100 Renovierungsband D15 WF
022529	vernickelt	200 Renovierungsband Rahment.D15/23
022967	vernickelt	200 Renovierungsband Rahment.D15/23WF
022530	nickel plated	200 Renovierungsband Rahment.D15/34
022531	vernickelt	400 Tragbolzen f.Renovierungsband D8x45