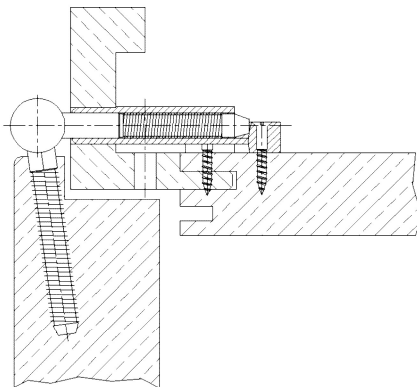


**Additional Information**

Standard load: Maximum door weight 30 kg (per pair)  
 Application: Combi hinge for wood doors "Ö-Norm"  
 Combination: COMBICA ® door part 1622, frame part 1631  
 Receiver: All PL and ST receiver types from chapter 06 except ST40, ST42

**Section Drawing**



Item	Finish	PU Bemerkung
020007	ZN blau	200 COMBICA ® 1631/11,5 WF Ö-Norm RT